
DESPIECE / SPARE PART DRAWING

**Secadoras
Dryers
Secheuses
Trockners
Essiccatoi**



PLATON SERVICE

8 (800) 500-34-41

www.platonservice.com

Modelos/ Models:

**SC-10, SR-10, SR-10 MP
SC-16, SR-16, SR-16 MP
SR-10 MP PLUS
SR-16 MP PLUS**

***Diciembre 2014
December 2014***

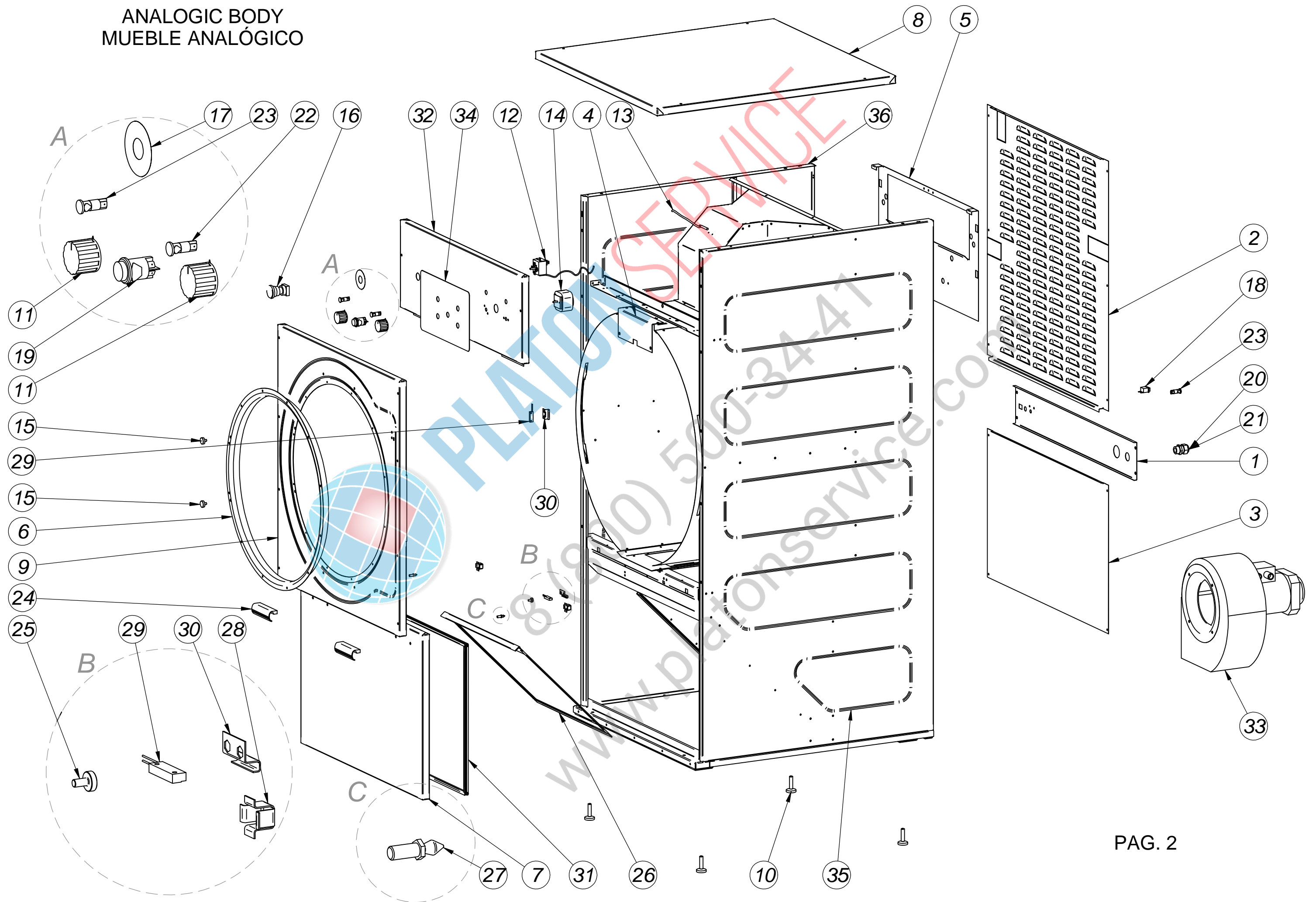


Fagor Industrial

ANALOGIC BODY / MUEBLE ANALOGICO

| Pos. | Código | SR-10 | SR-16 | Description | Descripción |
|------|------------|-------|-------|-------------------------------------|--|
| 1 | DO00V00023 | 1 | 1 | Back lids reinforcement | Refuerzo tapas posteriores |
| 2 | DO00V00928 | 1 | 1 | Back upper lid | Tapa posterior superior |
| 3 | DO00V00029 | 1 | 1 | Back lower lid | Tapa posterior inferior |
| 4 | DO00V00069 | 1 | 1 | Front pannel joint | Unión tapa intermedia |
| 5 | DO00V04003 | 1 | 1 | Battery thermic protection lid | Tapa protección térmica batería |
| 6 | DO00V00053 | 1 | 1 | Inlet hoop | Aro refuerzo entrada |
| 7 | DO07V00181 | 1 | 1 | Fluff filter lid | Tapa filtro borra |
| 8 | DO07V00168 | 1 | ... | Ceiling | Techo |
| 8 | DO07V10168 | ... | 1 | Ceiling | Techo |
| 9 | DO07V00225 | 1 | 1 | Front pannel | Tapa frontal |
| 10 | DO1BC03036 | 4 | 4 | Levelling feet | Piés de nivelación |
| 11 | DO1BJ07520 | 2 | 2 | Thermostat timer | Mando reloj/termostato |
| 12 | DO1DG11130 | 1 | 1 | Thermostat cap. 2,9 M.INV 90° | Termostato cap. 2,9 M. INV 90° |
| 13 | DO1DG11135 | 1 | 1 | Safety thermostat 220° (Electric) | Termostato de seguridad 220° (Eléctrico) |
| 13 | DO1DG11154 | 1 | 1 | Safety thermostat 180° (Gas-Steam) | Termostato de seguridad 180° (Gas-Vapor) |
| 14 | DO1DL13350 | 1 | 1 | Clock with delay 60" | Reloj con retardador de 60" |
| 15 | DO1FB02235 | 2 | 2 | Magnet Ø20 | Imán Ø20 |
| 16 | DO1DK13112 | 1 | 1 | Emergency push-button | Pulsador paro emergencia |
| 17 | DO1DK13106 | 1 | 1 | Emergency stop adhesive | Anagrama paro emergencia |
| 18 | DO1DK13111 | 1 | 1 | Reset rectanular button (Gas) | Pulsador reset (Gas) |
| 19 | DO1DK13240 | 1 | 1 | Green light push-button | Pulsador bipolar luminoso verde |
| 20 | DO1DL15029 | 1 | 1 | Caps top PG-29 (Electric) | Prensa estopa PG-29 (Eléctrico) |
| 21 | DO1DL15021 | 1 | 1 | Caps top PG-16 (Gas-Steam) | Prensa estopa PG-16 (Gas-Vapor) |
| 22 | DO1DL14313 | 1 | 1 | Green pilot D13 | Piloto D13 verde |
| 23 | DO1DL14315 | 2 | 2 | Red pilot D13 | Piloto D13 rojo |
| 24 | DO1FB03060 | 2 | 2 | Fluff filter lid handle | Tirador tapa filtro borra |
| 25 | DO1FB02236 | 1 | 1 | Magnet Ø13 | Imán Ø13 |
| 26 | DO80V00133 | 1 | 1 | Fluff filter | Filtro borra |
| 27 | DO1BC03228 | 2 | 2 | Clip lock door | Cierre clip |
| 28 | DO1BC03229 | 2 | 2 | Clip holder | Receptáculo clip |
| 29 | DO1DG11734 | 2 | 2 | Reed rectangular sensor | Sensor reed rectangular |
| 30 | DO00V02170 | 2 | 2 | Reed sensor support | Soporte sensor reed |
| 31 | DO1BE7130L | 1 | 1 | Rubber band fluff filter lid (2.5m) | Perfil goma tapa filtro (2,5m.) |
| 32 | DO07V00050 | 1 | 1 | Analogic front panel | Tapa portamandos analógica |
| 33 | DO1DE08313 | 1 | 1 | Centrifugal fan (Electric) | Ventilador centrífugo (Eléctrico) |
| 33 | DO1DE08312 | 1 | 1 | Centrifugal fan (Gas-Steam) | Ventilador centrífugo (Gas-Vapor) |
| 34 | DO1BH07463 | 1 | 2 | Analogic sticker | Carátula analógica |
| 35 | DO07V00155 | 1 | ... | Right side pannel | Panel lateral derecho |
| 35 | DO07V10155 | ... | 1 | Right side pannel | Panel lateral derecho |
| 36 | DO07V00156 | 1 | ... | Left side pannel | Panel lateral izquierdo |
| 36 | DO07V10156 | ... | 1 | Left side pannel | Panel lateral izquierdo |

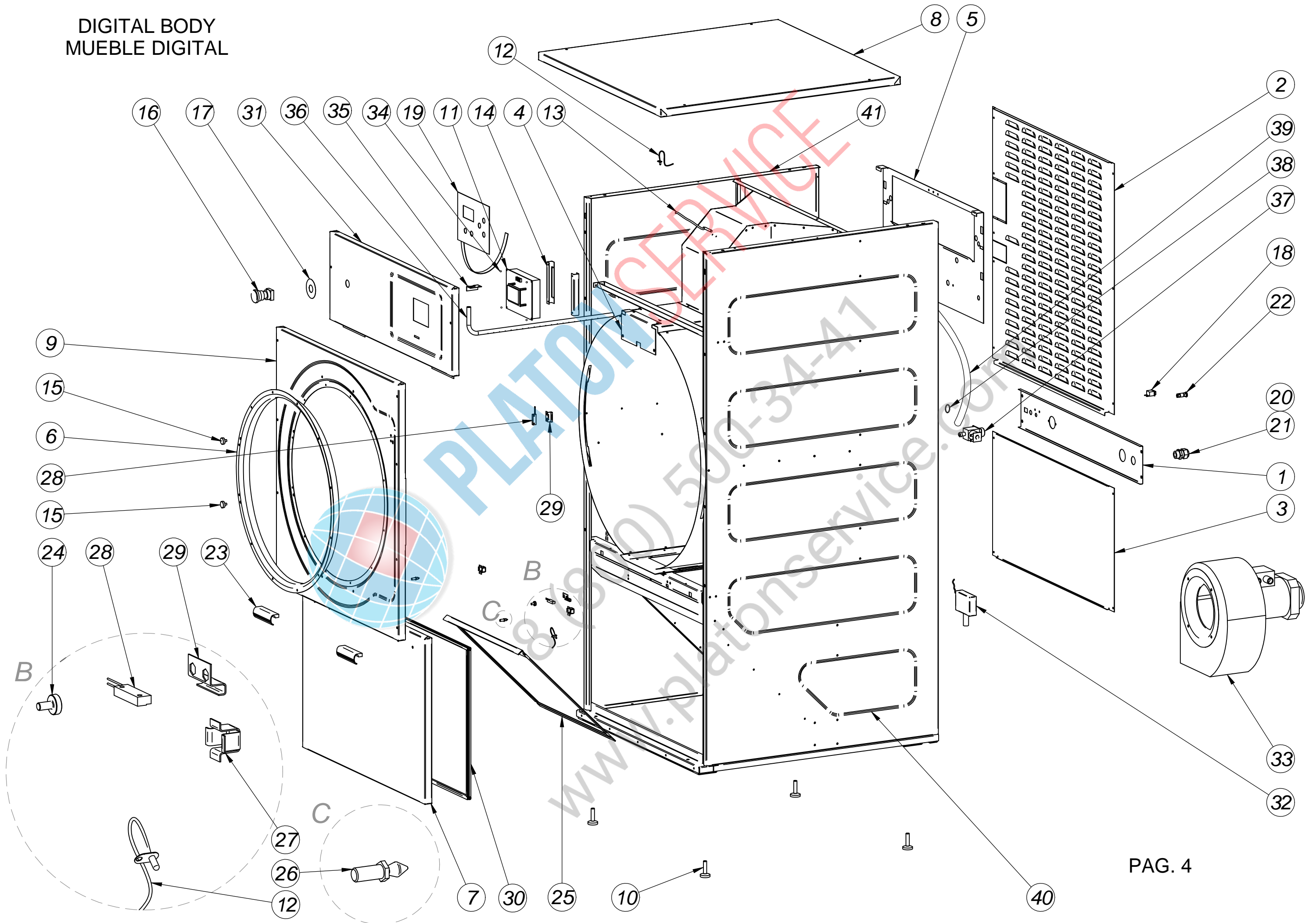
ANALOGIC BODY
MUEBLE ANALÓGICO



DIGITAL BODY / MUEBLE DIGITAL

| Pos. | Código | SR-10 | SR-16 | Description | Descripción |
|------|------------|-------|-------|---------------------------------------|---|
| 1 | DO00V00023 | 1 | 1 | Back lids reinforcement | Refuerzo tapas posteriores |
| 2 | DO00V00928 | 1 | 1 | Back upper lid | Tapa posterior superior |
| 3 | DO00V00029 | 1 | 1 | Back lower lid | Tapa posterior inferior |
| 4 | DO00V00069 | 1 | 1 | Front pannel joint | Unión tapa intermedia |
| 5 | DO00V04003 | 1 | 1 | Battery thermic protection lid | Tapa protección térmica batería |
| 6 | DO00V00053 | 1 | 1 | Inlet hoop | Aro refuerzo entrada |
| 7 | DO07V00181 | 1 | 1 | Fluff filter lid | Tapa filtro borra |
| 8 | DO07V00168 | 1 | ... | Ceiling | Techo |
| 8 | DO07V10168 | ... | 1 | Ceiling | Techo |
| 9 | DO07V00225 | 1 | 1 | Front pannel | Tapa frontal |
| 10 | DO1BC03036 | 4 | 4 | Levelling feet | Piés de nivelación |
| 11 | DO1DH12360 | 1 | 1 | PSM microprocessor | Microprocesador PSM |
| 12 | DO1DH12314 | 1 | 1 | Temperature probe | Sonda temperatura |
| 13 | DO1DG11154 | 1 | 1 | Safety thermostat 180° (Gas-Steam) | Termostato de seguridad 180° (Gas-Vapor) |
| 13 | DO1DG11135 | 1 | 1 | Safety thermostat 220° (Electric) | Termostato de seguridad 220° (Eléctrico) |
| 14 | DO00V00126 | 2 | 2 | Microprocessor support | Soporte microprocesador PSM |
| 15 | DO1FB02235 | 2 | 2 | Magnet Ø20 | Imán Ø20 |
| 16 | DO1DK13112 | 1 | 1 | Emergency push-button | Pulsador paro emergencia |
| 17 | DO1DK13106 | 1 | 1 | Emergency stop adhesive | Anagrama paro emergencia |
| 18 | DO1DK13111 | 1 | 1 | Reset rectanular button (Gas) | Pulsador reset (Gas) |
| 19 | DO1BH07458 | 1 | 1 | Sticker | Sticker placa mandos |
| 20 | DO1DL15029 | 1 | 1 | Caps top PG-29 (Electric) | Prensa estopa PG-29 (Eléctrico) |
| 21 | DO1DL15021 | 1 | 1 | Caps top PG-16 (Gas-Steam) | Prensa estopa PG-16 (Gas-Vapor) |
| 22 | DO1DL14315 | 2 | 2 | Red pilot D13 | Piloto D13 rojo |
| 23 | DO1FB03060 | 2 | 2 | Fluff filter lid handle | Tirador tapa filtro borra |
| 24 | DO1FB02236 | 1 | 1 | Magnet Ø13 | Imán Ø13 |
| 25 | DO80V00133 | 1 | 1 | Fluff filter | Filtro borra |
| 26 | DO1BC03228 | 2 | 2 | Clip lock door | Cierre clip |
| 27 | DO1BC03229 | 2 | 2 | Clip holder | Receptáculo clip |
| 28 | DO1DG11734 | 2 | 2 | Reed rectangular sensor | Sensor reed rectangular |
| 29 | DO00V02170 | 2 | 2 | Reed sensor support | Soporte sensor reed |
| 30 | DO1BE7130L | 1 | 1 | Rubber band fluff filter lid (2.5m) | Perfil goma tapa filtro (2,5m.) |
| 31 | DO07V00040 | 1 | 1 | Digital front panel | Tapa portamandos digital |
| 32 | DO1DG11732 | 1 | 1 | Moisture sensor | Sensor de humedad |
| 33 | DO1DE08313 | 1 | 1 | Centrifugal fan (Electric) | Ventilador centrífugo (Eléctrico) |
| 33 | DO1DE08312 | 1 | 1 | Centrifugal fan (Gas-Steam) | Ventilador centrífugo (Gas-Vapor) |
| 33 | DO1DE08400 | 1 | 1 | Centrifugal fan (Recir. Three phase) | Ventilador centrífugo (Recir. Trifásico) |
| 33 | DO1DE08416 | 1 | 1 | Centrifugal fan (Recir. Single phase) | Ventilador centrífugo (Recir. Monofásico) |
| 34 | DO1DL14167 | 4 | 4 | Microprocessor anchoring support | Soporte anclaje microprocesador |
| 35 | DO00V00605 | 1 | 1 | Grommet cover | Tapa pasa tubos |
| 36 | DO00V00600 | 1 | 1 | Diffuser tube | Tubo difusor |
| 37 | DO1JE80215 | 1 | 1 | Electrovalve | Electroválvula |
| 38 | DO1FB01627 | 2 | 2 | Clamp | Abrazadera |
| 39 | DO1DO01218 | 1 | 1 | Water hose 1.5m. | Manguera 1.5m. |
| 40 | DO07V00155 | 1 | ... | Right side pannel | Panel lateral derecho |
| 40 | DO07V10155 | ... | 1 | Right side pannel | Panel lateral derecho |
| 41 | DO07V00156 | 1 | ... | Left side pannel | Panel lateral izquierdo |
| 41 | DO07V10156 | ... | 1 | Left side pannel | Panel lateral izquierdo |

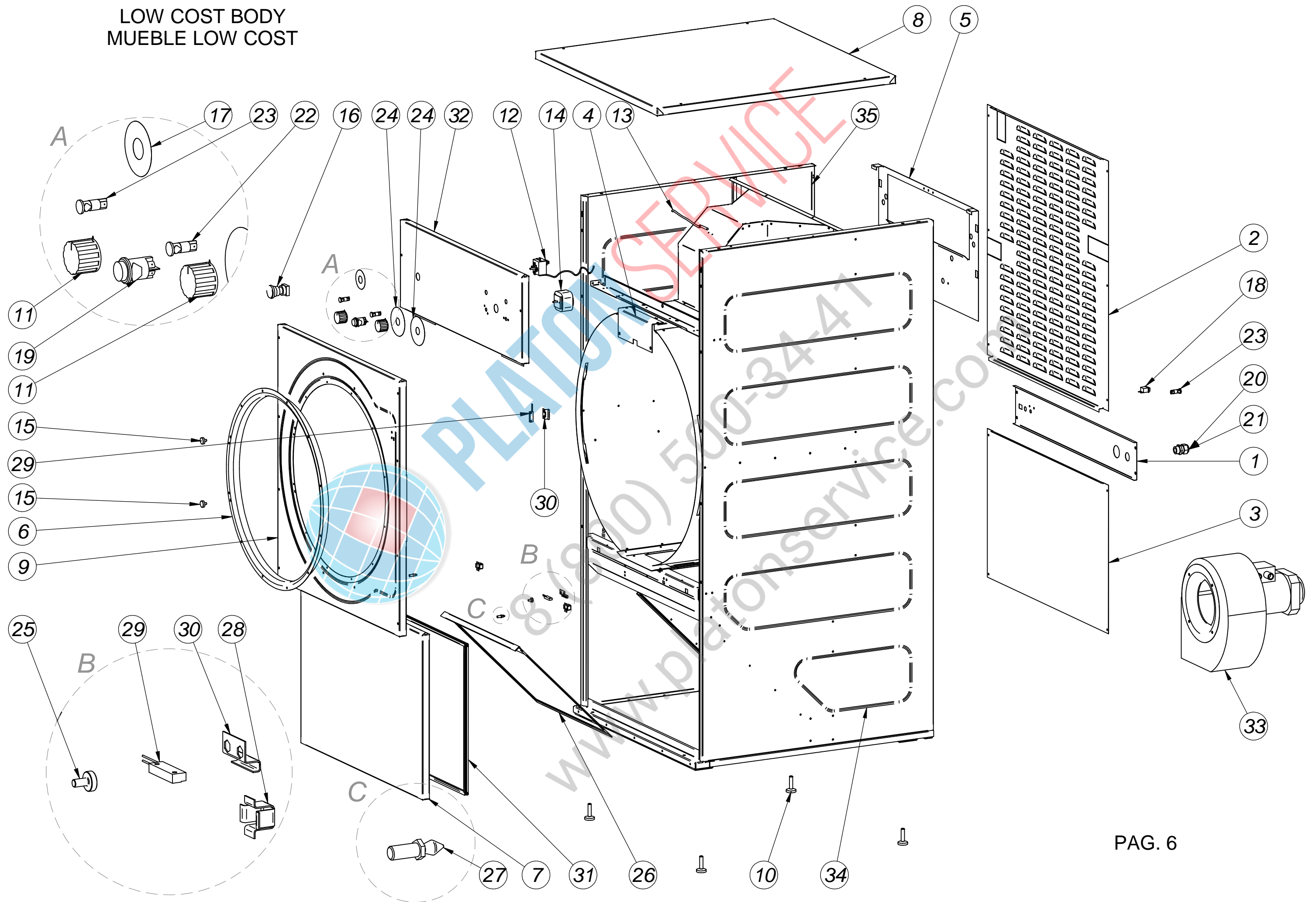
DIGITAL BODY
MUEBLE DIGITAL



LOW COST BODY / MUEBLE LOW COST

| Pos. | Código | SC-10 | SC-16 | Description | Descripción |
|------|------------|-------|-------|-------------------------------------|--|
| 1 | DO00V00023 | 1 | 1 | Back lids reinforcement | Refuerzo tapas posteriores |
| 2 | DO00V00928 | 1 | 1 | Back upper lid | Tapa posterior superior |
| 3 | DO00V00029 | 1 | 1 | Back lower lid | Tapa posterior inferior |
| 4 | DO00V00069 | 1 | 1 | Front pannel joint | Unión tapa intermedia |
| 5 | DO00V04003 | 1 | 1 | Battery thermic protection lid | Tapa protección térmica batería |
| 6 | DO00V00189 | 1 | 1 | Inlet hoop | Aro refuerzo entrada |
| 7 | DO00V00370 | 1 | 1 | Fluff filter lid | Tapa filtro borra |
| 8 | DO00V00068 | 1 | ... | Ceiling | Techo |
| 8 | DO00V10068 | ... | 1 | Ceiling | Techo |
| 9 | DO00V00225 | 1 | 1 | Front pannel | Tapa frontal |
| 10 | DO1BC03036 | 4 | 4 | Levelling feet | Piés de nivelación |
| 11 | DO1BJ07520 | 2 | 2 | Thermostat timer | Mando reloj/termostato |
| 12 | DO1DG11130 | 1 | 1 | Thermostat cap. 2,9 M.INV 90° | Termostato cap. 2,9 M. INV 90° |
| 13 | DO1DG11135 | 1 | 1 | Safety thermostat 220° (Electric) | Termostato de seguridad 220° (Eléctrico) |
| 13 | DO1DG11154 | 1 | 1 | Safety thermostat 180° (Gas-Steam) | Termostato de seguridad 180° (Gas-Vapor) |
| 14 | DO1DL13350 | 1 | 1 | Clock with delay 60" | Reloj con retardador de 60" |
| 15 | DO1FB02235 | 2 | 2 | Magnet Ø20 | Imán Ø20 |
| 16 | DO1DK13112 | 1 | 1 | Emergency push-button | Pulsador paro emergencia |
| 17 | DO1DK13106 | 1 | 1 | Emergency stop adhesive | Anagrama paro emergencia |
| 18 | DO1DK13111 | 1 | 1 | Reset rectanular button (Gas) | Pulsador reset (Gas) |
| 19 | DO1DK13240 | 1 | 1 | Green light push-button | Pulsador bipolar luminoso verde |
| 20 | DO1DL15029 | 1 | 1 | Caps top PG-29 (Electric) | Prensa estopa PG-29 (Eléctrico) |
| 21 | DO1DL15021 | 1 | 1 | Caps top PG-16 (Gas-Steam) | Prensa estopa PG-16 (Gas-Vapor) |
| 22 | DO1DL14313 | 1 | 1 | Green pilot D13 | Piloto D13 verde |
| 23 | DO1DL14315 | 2 | 2 | Red pilot D13 | Piloto D13 rojo |
| 24 | DO1BH10039 | 2 | 2 | Controls sticker | Etiqueta adhesiva de los mandos |
| 25 | DO1FB02236 | 1 | 1 | Magnet Ø13 | Imán Ø13 |
| 26 | DO80V00133 | 1 | 1 | Fluff filter | Filtro borra |
| 27 | DO1BC03228 | 2 | 2 | Clip lock door | Cierre clip |
| 28 | DO1BC03229 | 2 | 2 | Clip holder | Receptáculo clip |
| 29 | DO1DG11734 | 2 | 2 | Reed rectangular sensor | Sensor reed rectangular |
| 30 | DO00V02170 | 2 | 2 | Reed sensor support | Soporte sensor reed |
| 31 | DO1BE7130L | 1 | 1 | Rubber band fluff filter lid (2.5m) | Perfil goma tapa filtro (2,5m.) |
| 32 | DO00V00050 | 1 | 1 | Low cost front panel | Tapa portamandos Low cost |
| 33 | DO1DE08313 | 1 | 1 | Centrifugal fan (Electric) | Ventilador centrífugo (Eléctrico) |
| 33 | DO1DE08312 | 1 | 1 | Centrifugal fan (Gas-Steam) | Ventilador centrífugo (Gas-Vapor) |
| 34 | DO00V00155 | 1 | ... | Right side pannel | Panel lateral derecho |
| 34 | DO00V10155 | ... | 1 | Right side pannel | Panel lateral derecho |
| 35 | DO00V00256 | 1 | ... | Left side pannel | Panel lateral izquierdo |
| 35 | DO00V10156 | ... | 1 | Left side pannel | Panel lateral izquierdo |

LOW COST BODY
MUEBLE LOW COST



SELF-SERVICE BODY / MUEBLE AUTOSERVICIO

| Pos. | Código | SR-10A | SR-16A | Description | Descripción |
|------|------------|--------|--------|----------------------------------|---------------------------------|
| 1 | DO07V00182 | 1 | 1 | Fluff filter lid | Tapa filtro borra |
| 2 | DO07V00942 | 1 | 1 | Digital front panel | Tapa portamandos digital |
| 3 | DO1DH12359 | 1 | 1 | PSM microprocessor | Microprocesador PSM |
| 4 | DO00V00126 | 2 | 2 | Microprocessor support | Soporte microprocesador PSM |
| 5 | DO1DL14167 | 4 | 4 | Microprocessor anchoring support | Soporte anclaje microprocesador |
| 6 | DO1BH08000 | 1 | 1 | Purse cover | Tapa monedero |
| 7 | DO1BH07468 | 1 | 1 | Payment center sticker | Carátula central de pago |
| 8 | DO1BH07458 | 1 | 1 | Control plate sticker | Sticker placa mandos |
| 9 | DO1FB03037 | 1 | 1 | Opening key | Llave apertura |
| 10 | DO1FB03035 | 2 | 2 | Closing mechanism | Mecanismo cierre |
| 11 | DO1FB03036 | 2 | 2 | Fluff filter lid handle | Tirador tapa filtro borra |

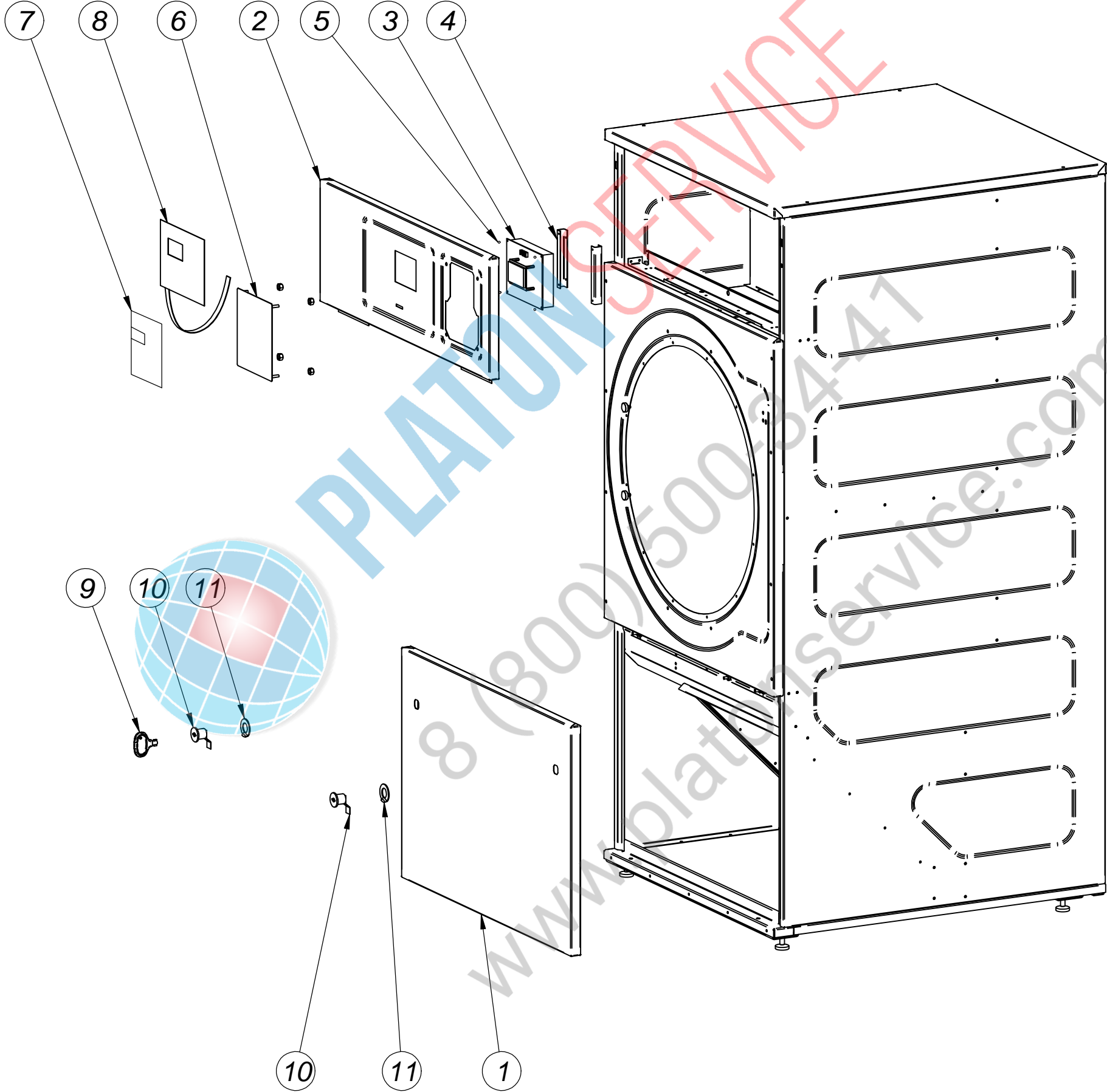


PLATON SERVICE

8 (800) 500-34-41

www.platonservice.com

SELF-SERVICE BODY
MUEBLE AUTOSERVICIO



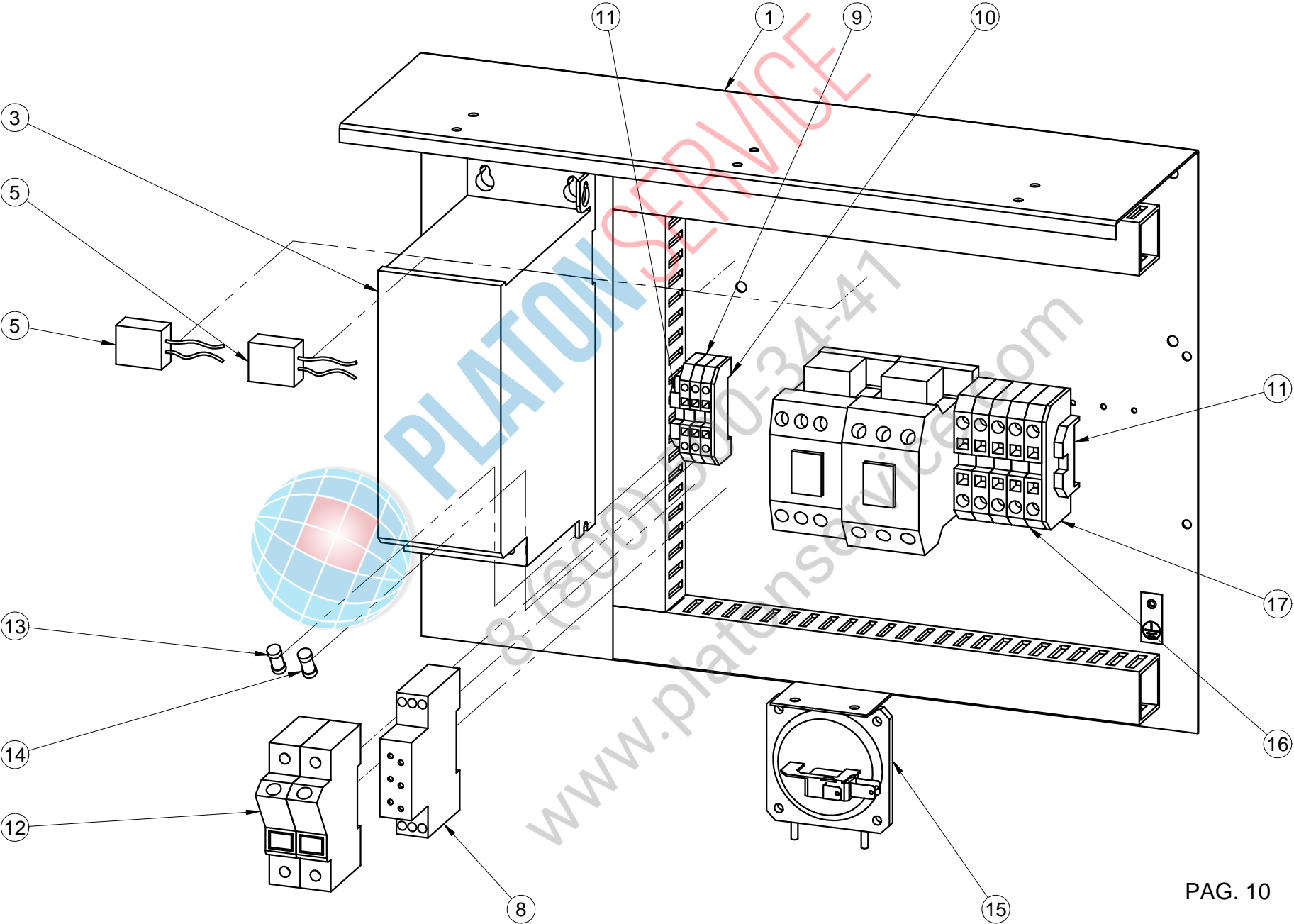
ANALOGIC ELECTRIC BOX / CUADRO ELECTRICO ANALOGICO
ELECTRICAL HEATING / CALEFACCION ELECTRICA

| Pos. | Código | Cant. | Description | Descripción |
|-------------|---------------|--------------|---------------------------|-----------------------------|
| 1 | DO00V00024 | 1 | Electric box | Cuadro eléctrico |
| 3 | DO1DC00008 | 1 | Frequency control 0,37 kW | Variador frecuencia 0,37 kW |
| 5 | DO1DC01050 | 2 | Universal RC filter 220V | Filtro RC universal 220V |
| 6 | DO1DF10131 | 1 | Fan contactor | Contactador ventilador |
| 7 | DO1DF10136 | 1 | Resistors contactor | Contactador resistencias |
| 8 | DO1DI12320 | 1 | Timer 4 functions | Temporizador 4 funciones |
| 9 | DO1DL14150 | 3 | Connection boxes 4/6 mm | Regleta conexión 4/6 mm |
| 10 | DO1DL14156 | 1 | Boxes lid 4/6 mm | Tapa regleta 4/6 mm |
| 11 | DO1DL14162 | 2 | End stop | Tope final |
| 12 | DO1DL14203 | 2 | Fuse housing lane 35 | Portafusible carril 35 |
| 13 | DO1DL14281 | 2 | Fuse cartridge 2 A | Cartucho fusible 2 A |
| 14 | DO1DL14256 | 2 | Fuse cartridge 16 A | Cartucho fusible 16 A |
| 15 | DO1AB01475 | 1 | Diferential air pressure | Presostato diferencial |
| 16 | DO1DL14152 | 5 | Connection boxes 16/25 mm | Regleta conexión 16/25 mm |
| 17 | DO1DL14158 | 1 | Boxes lid 16/25 mm | Tapa regleta 16/25 mm |



PLATON SERVICE
 8 (800) 500-34-44
www.platonservice.com

ANALOGIC ELECTRIC BOX / CUADRO ELECTRICO ANALOGICO
ELECTRICAL HEATING / CALEFACCION ELECTRICA



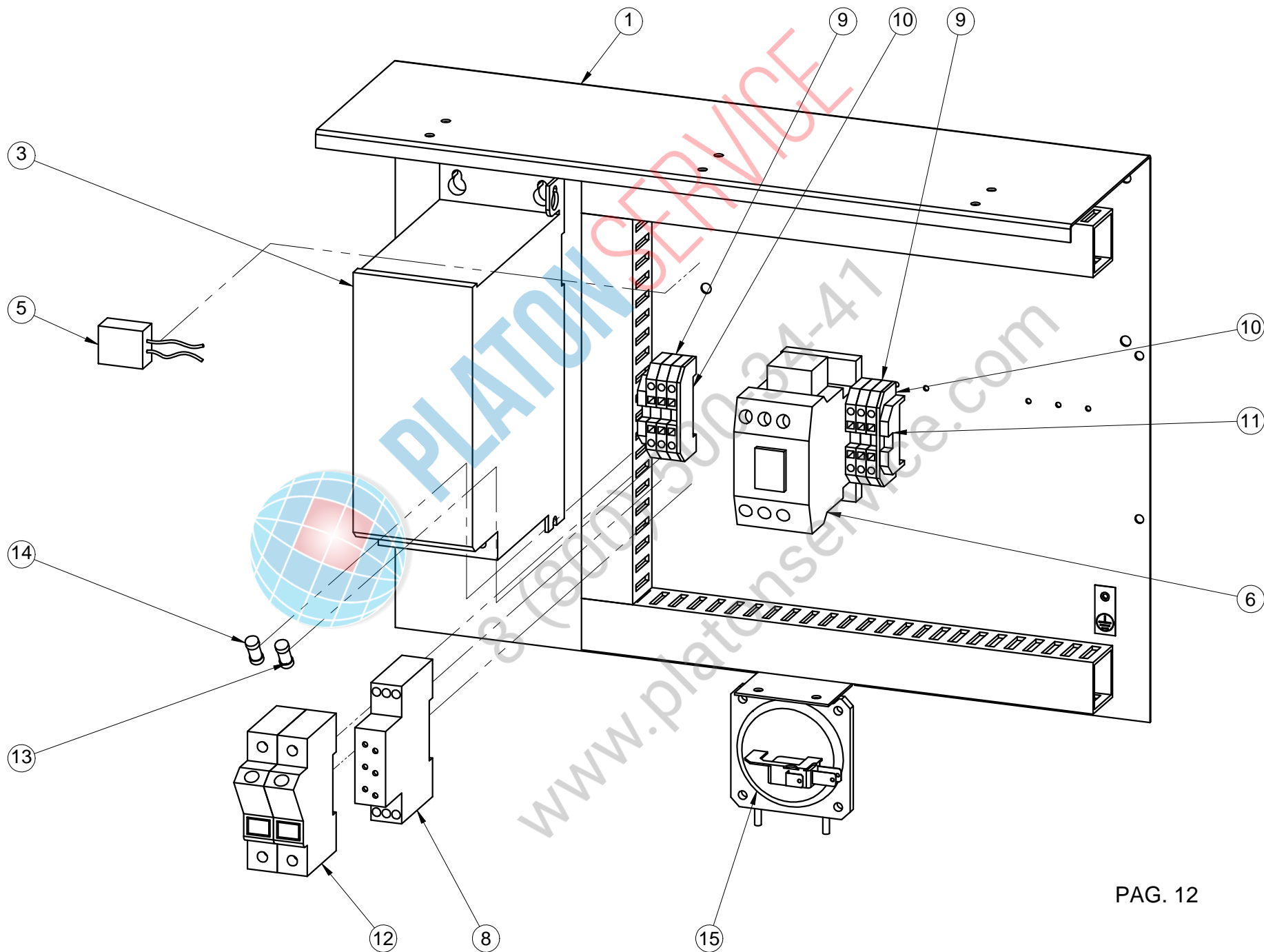
ANALOGIC ELECTRIC BOX / CUADRO ELECTRICO ANALOGICO
GAS-STEAM HEATING / CALEFACCION GAS-VAPOR

| Pos. | Código | Cant. | Description | Descripción |
|-------------|---------------|--------------|---------------------------|-----------------------------|
| 1 | DO00V00024 | 1 | Electric box | Cuadro eléctrico |
| 3 | DO1DC00008 | 1 | Frequency control 0,37 kW | Variador frecuencia 0,37 kW |
| 5 | DO1DC01050 | 1 | Universal RC filter 220V | Filtro RC universal 220V |
| 6 | DO1DF10131 | 1 | Fan contactor | Contacto ventilador |
| 8 | DO1DI12320 | 1 | Timer 4 functions | Temporizador 4 funciones |
| 9 | DO1DL14150 | 6 | Connection boxes 4/6 mm | Regleta conexión 4/6 mm |
| 10 | DO1DL14156 | 2 | Boxes lid 4/6 mm | Tapa regleta 4/6 mm |
| 11 | DO1DL14162 | 2 | End stop | Tope final |
| 12 | DO1DL14203 | 2 | Fuse housing lane 35 | Portafusible carril 35 |
| 13 | DO1DL14281 | 2 | Fuse cartridge 2 A | Cartucho fusible 2 A |
| 14 | DO1DL14256 | 2 | Fuse cartridge 16 A | Cartucho fusible 16 A |
| 15 | DO1AB01475 | 1 | Diferential air pressure | Presostato diferencial |



PLATON SERVICE
 8 (800) 500-34-41
www.platonservice.com

ANALOGIC ELECTRIC BOX / CUADRO ELECTRICO ANALOGICO
GAS-STEAM HEATING / CALEFACCION GAS-VAPOR

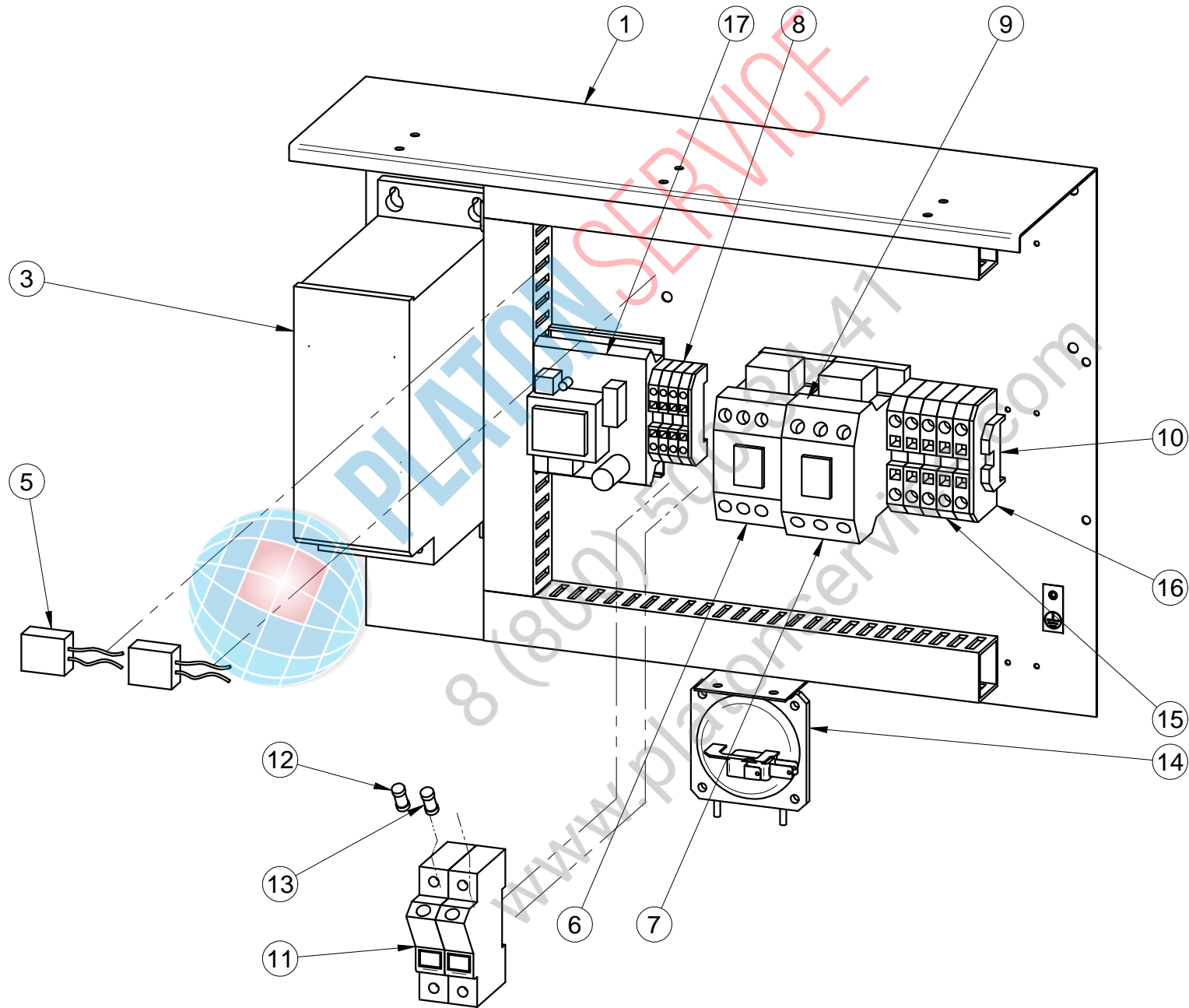


DIGITAL ELECTRIC BOX / CUADRO ELECTRICO DIGITAL
ELECTRICAL HEATING / CALEFACCION ELECTRICA

| Pos. | Código | Cant. | Description | Descripción |
|-------------|---------------|--------------|---------------------------|-----------------------------|
| 1 | DO00V00024 | 1 | Electric box | Cuadro eléctrico |
| 3 | DO1DC00008 | 1 | Frequency control 0,37 kW | Variador frecuencia 0,37 kW |
| 5 | DO1DC01050 | 2 | Universal RC filter 220V | Filtro RC universal 220V |
| 6 | DO1DF10146 | 1 | Fan minicontactor | Minicontactor ventilador |
| 7 | DO1DF10136 | 1 | Resistors contactor | Contactador resistencias |
| 8 | DO1DL14150 | 4 | Connection boxes 4/6 mm | Regleta conexión 4/6 mm |
| 9 | DO1DL14156 | 1 | Boxes lid 4/6 mm | Tapa regleta 4/6 mm |
| 10 | DO1DL14162 | 1 | End stop | Tope final |
| 11 | DO1DL14203 | 2 | Fuse housing lane 35 | Portafusible carril 35 |
| 12 | DO1DL14281 | 2 | Fuse cartridge 2 A | Cartucho fusible 2 A |
| 13 | DO1DL14256 | 2 | Fuse cartridge 16 A | Cartucho fusible 16 A |
| 14 | DO1AB01475 | 1 | Differential air pressure | Presostato diferencial |
| 15 | DO1DL14152 | 5 | Connection boxes 16 mm | Regleta conexión 16 mm |
| 16 | DO1DL14158 | 1 | Boxes lid 16 mm | Tapa regleta 16 mm |
| 17 | DO1DH12229 | 1 | Source of electricity | Fuente alimentación |



PLATON SERVICE
 8 (800) 500-34-11
www.platonservice.com



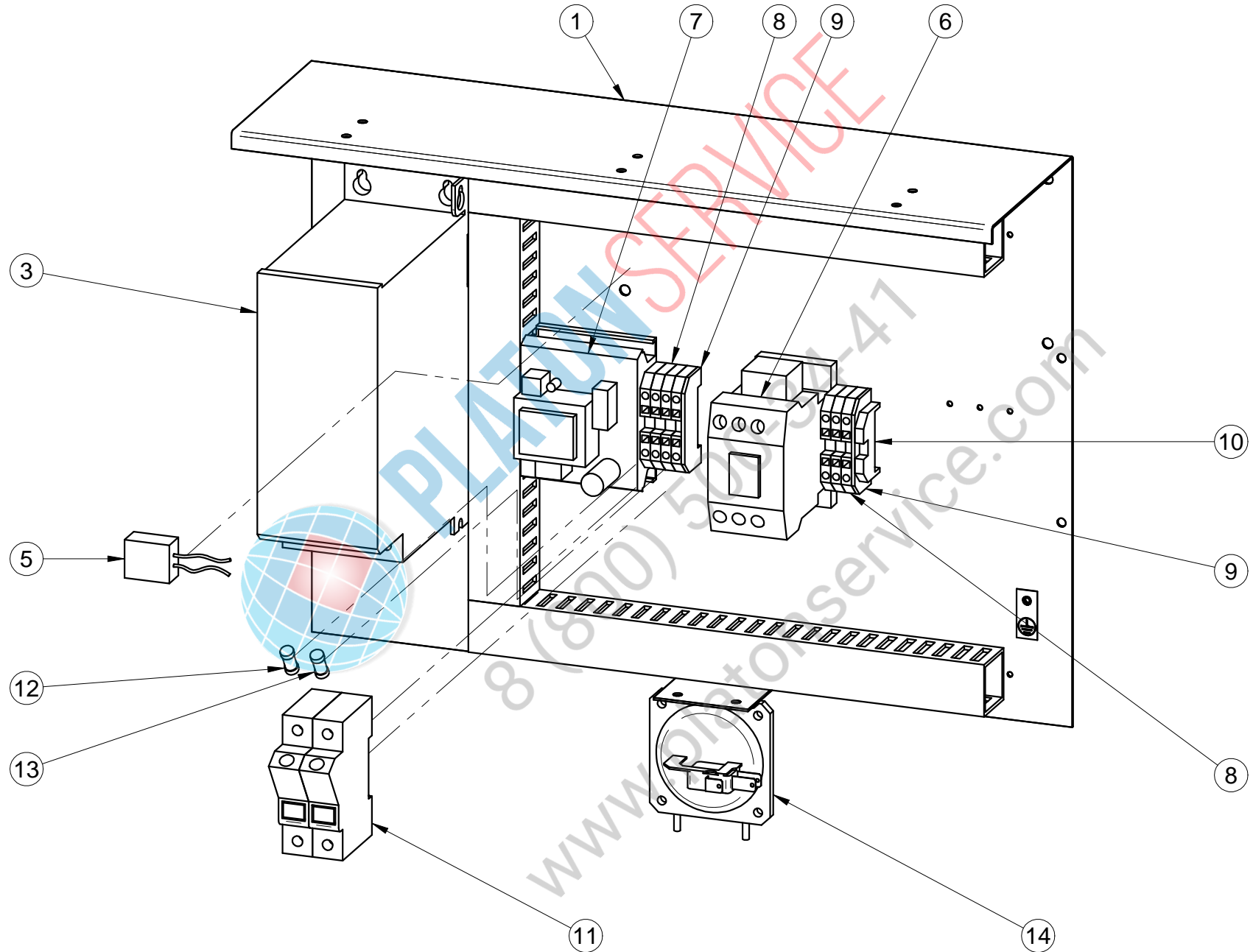
DIGITAL ELECTRIC BOX / CUADRO ELECTRICO DIGITAL
GAS-STEAM HEATING / CALEFACCION GAS-VAPOR

| Pos. | Código | Cant. | Description | Descripción |
|-------------|---------------|--------------|---------------------------|-----------------------------|
| 1 | DO00V00024 | 1 | Electric box | Cuadro eléctrico |
| 3 | DO1DC00008 | 1 | Frequency control 0,37 kW | Variador frecuencia 0,37 kW |
| 5 | DO1DC01050 | 1 | Universal RC filter 220V | Filtro RC universal 220V |
| 6 | DO1DF10146 | 1 | Fan minicontactor | Minicontactor ventilador |
| 7 | DO1DH12229 | 1 | Source of electricity | Fuente alimentación |
| 8 | DO1DL14150 | 7 | Connection boxes 4/6 mm | Regleta conexión 4/6 mm |
| 9 | DO1DL14156 | 2 | Boxes lid 4/6 mm | Tapa regleta 4/6 mm |
| 10 | DO1DL14162 | 1 | End stop | Tope final |
| 11 | DO1DL14203 | 2 | Fuse housing lane 35 | Portafusible carril 35 |
| 12 | DO1DL14281 | 2 | Fuse cartridge 2 A | Cartucho fusible 2 A |
| 13 | DO1DL14256 | 2 | Fuse cartridge 16 A | Cartucho fusible 16 A |
| 14 | DO1AB01475 | 1 | Diferential air pressure | Presostato diferencial |



PLATON SERVICE
 8 (800) 500-34-41
www.platonservice.com

DIGITAL ELECTRIC BOX / CUADRO ELECTRICO DIGITAL
GAS-STEAM HEATING / CALEFACCION GAS-VAPOR



**DIGITAL ELECTRIC BOX (RECIRCULATING) / CUADRO ELECTRICO DIGITAL (RECIRCULACION)
ELECTRICAL HEATING / CALEFACCION ELECTRICA**

| Pos. | Código | Cant. | Description | Descripción |
|-------------|---------------|--------------|-----------------------------------|------------------------------|
| 1 | DO00V00024 | 1 | Electric box | Cuadro eléctrico |
| 3 | DO1DC00008 | 1 | Frequency control 0,37 kW | Variador frecuencia 0,37 kW |
| 5 | DO1DC01050 | 2 | Universal RC filter 220V | Filtro RC universal 220V |
| 6 | DO1DF10146 | 1 | Fan contactor | Minicontactor ventilador |
| 7 | DO1DF10136 | 1 | Resistors contactor | Contactador resistencias |
| 8 | DO1DL14150 | 4 | Connection boxes 4/6 mm | Regleta conexión 4/6 mm |
| 9 | DO1DL14156 | 1 | Boxes lid 4/6 mm | Tapa regleta 4/6 mm |
| 10 | DO1DL14162 | 1 | End stop | Tope final |
| 11 | DO1DL14203 | 2 | Fuse housing lane 35 | Portafusible carril 35 |
| 12 | DO1DL14281 | 2 | Fuse cartridge 2 A | Cartucho fusible 2 A |
| 13 | DO1DL14256 | 2 | Fuse cartridge 16 A | Cartucho fusible 16 A |
| 14 | DO1AB01475 | 1 | Differential air pressure | Presostato diferencial |
| 15 | DO1DL14152 | 5 | Connection boxes 16 mm | Regleta conexión 16 mm |
| 16 | DO1DL14158 | 1 | Boxes lid 16 mm | Tapa regleta 16 mm |
| 17 | DO1DH12229 | 1 | Source of electricity | Fuente alimentación |
| 18 | DO1DH12231 | 1 | Source of electr. (recirculating) | Fuente alim. (recirculación) |

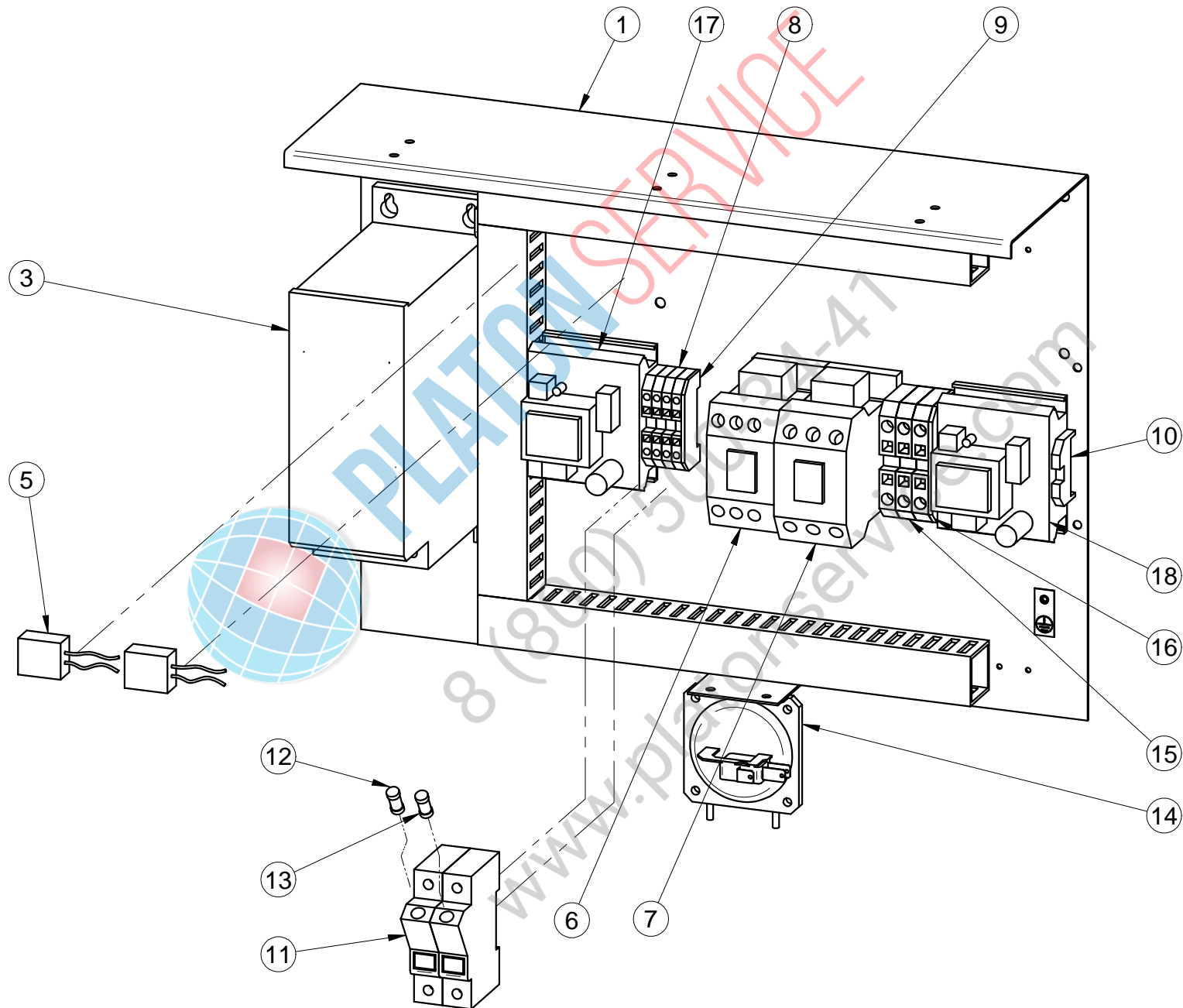


PLATON SERVICE
 8 (800) 500-3211
www.platonservice.com

DIGITAL ELECTRIC BOX / CUADRO ELECTRICO DIGITAL

ELECTRICAL HEATING / CALEFACCION ELECTRICA

RECIRCULATING / CON RECIRCULACION



DIGITAL ELECTRIC BOX / CUADRO ELECTRICO DIGITAL
GAS-STEAM HEATING / CALEFACCION GAS-VAPOR

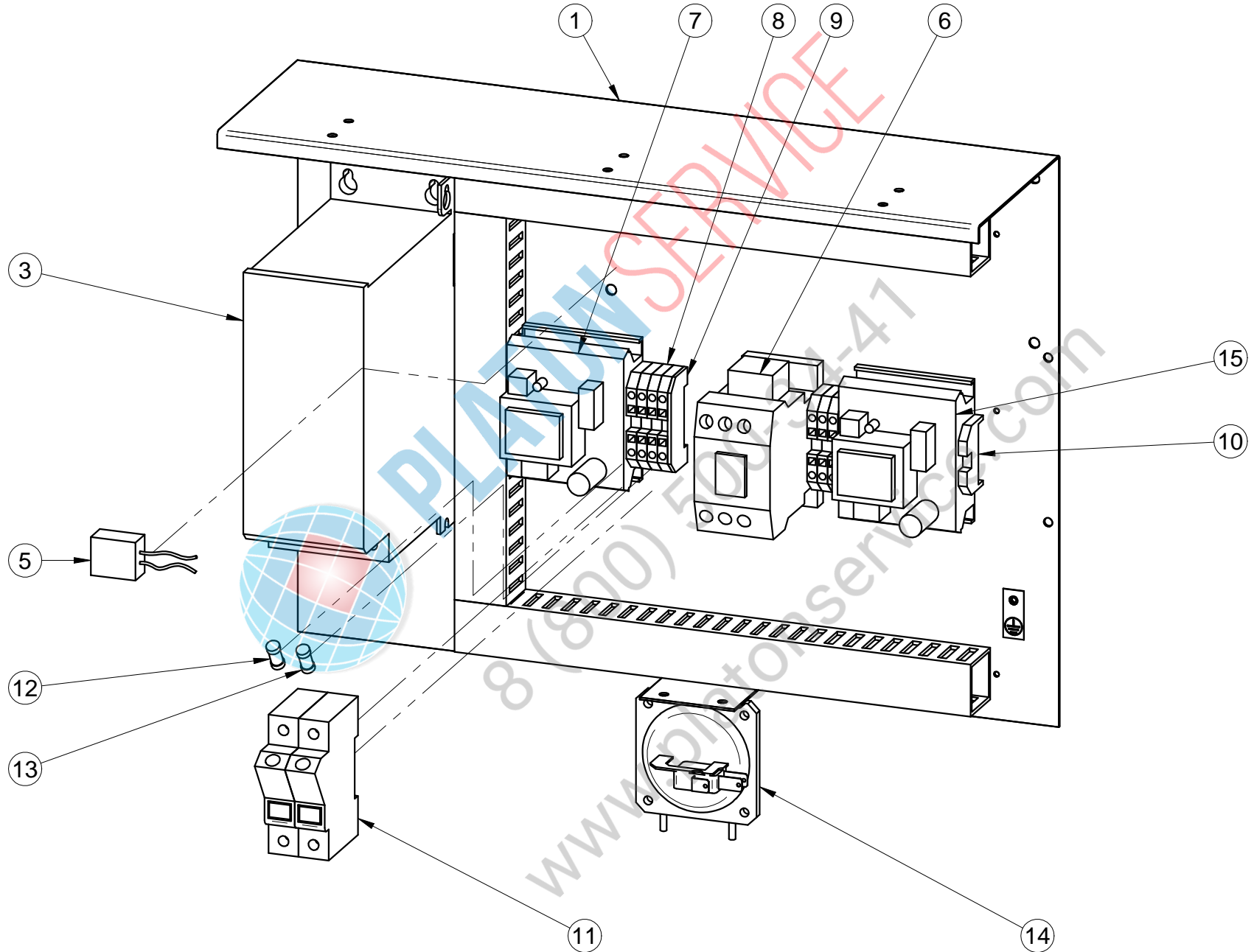
| Pos. | Código | Cant. | Description | Descripción |
|-------------|---------------|--------------|-----------------------------------|------------------------------|
| 1 | DO00V00024 | 1 | Electric box | Cuadro eléctrico |
| 3 | DO1DC00008 | 1 | Frequency control 0,37 kW | Variador frecuencia 0,37 kW |
| 5 | DO1DC01050 | 1 | Universal RC filter 220V | Filtro RC universal 220V |
| 6 | DO1DF10146 | 1 | Fan minicontactor | Minicontactor ventilador |
| 7 | DO1DH12229 | 1 | Source of electricity | Fuente alimentación |
| 8 | DO1DL14150 | 7 | Connection boxes 4/6 mm | Regleta conexión 4/6 mm |
| 9 | DO1DL14156 | 2 | Boxes lid 4/6 mm | Tapa regleta 4/6 mm |
| 10 | DO1DL14162 | 1 | End stop | Tope final |
| 11 | DO1DL14203 | 2 | Fuse housing lane 35 | Portafusible carril 35 |
| 12 | DO1DL14281 | 2 | Fuse cartridge 2 A | Cartucho fusible 2 A |
| 13 | DO1DL14256 | 2 | Fuse cartridge 16 A | Cartucho fusible 16 A |
| 14 | DO1AB01475 | 1 | Diferential air pressure | Presostato diferencial |
| 15 | DO1DH12231 | 1 | Source of electr. (recirculating) | Fuente alim. (recirculación) |



PLATON SERVICE
 8 (800) 500-34-41
www.platonservice.com

DIGITAL ELECTRIC BOX / CUADRO ELECTRICO DIGITAL

GAS-STEAM HEATING / CALEFACCION GAS-VAPOR
RECIRCULATING / CON RECIRCULACION



ELECTRICAL HEATING / BATERIA ELECTRICA

SR-10 Cod. DO00V03005

SR-16 Cod. DO00V13005

| Pos. | Código | SR-10 | SR-16 | Description | Descripción |
|------|------------|-------|-------|----------------------------------|-------------------------------------|
| 1 | DO00V03010 | 1 | 1 | Electric battery box | Caja batería eléctrica |
| 2 | DO00V03011 | 1 | 1 | Electric battery right hand side | Lateral derecho batería eléctrica |
| 3 | DO00V03012 | 1 | 1 | Electric battery left hand side | Lateral izquierdo batería eléctrica |
| 4 | DO00V03014 | 1 | 1 | Resistor support | Soporte de resistencias |
| 5 | DO1AC02259 | 6 | 9 | Resistor 2000 W | Resistencia 2000 W |

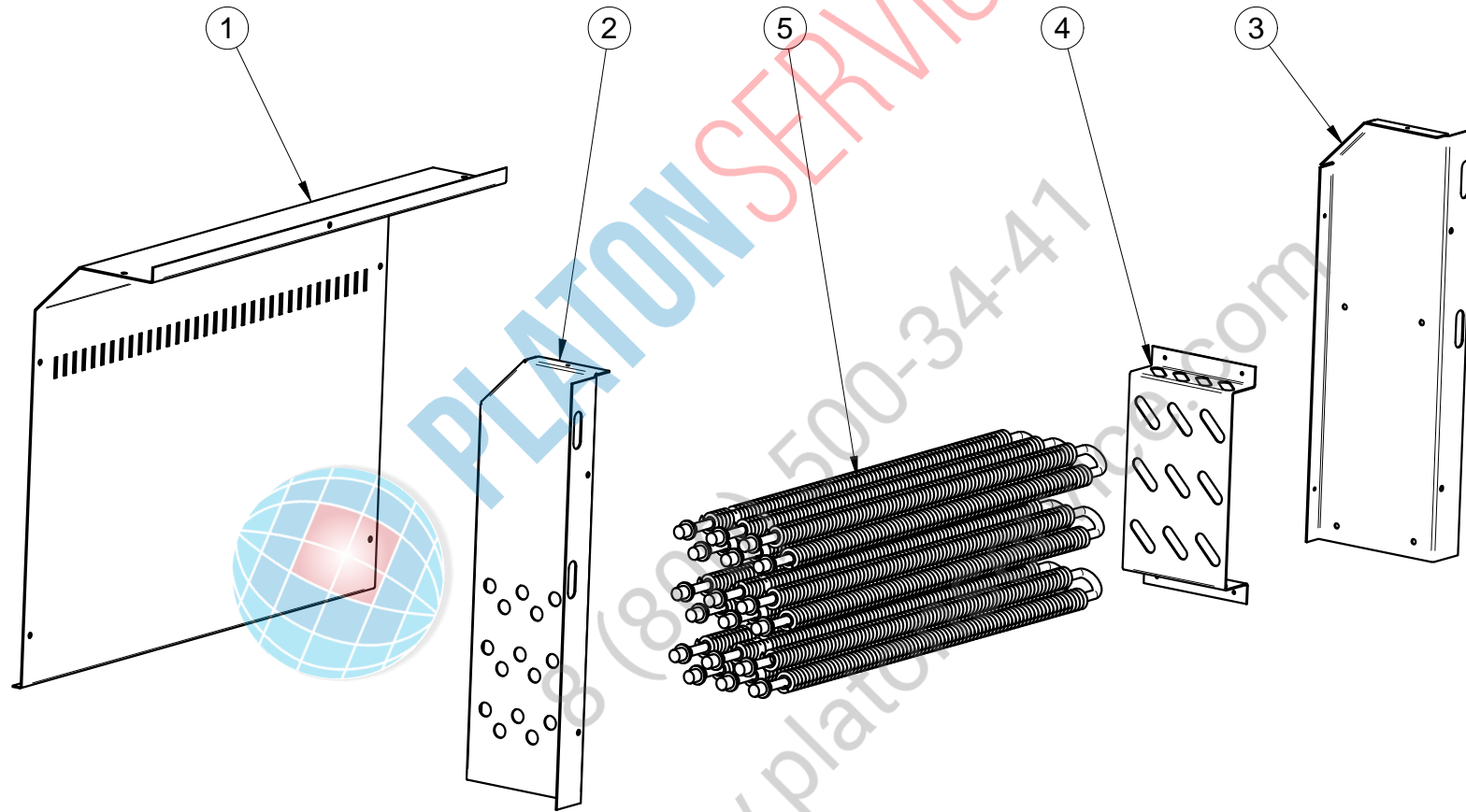


PLATON SERVICE

8 (800) 500-34-47

www.platonservice.com

ELECTRICAL HEATING / BATERIA ELECTRICA



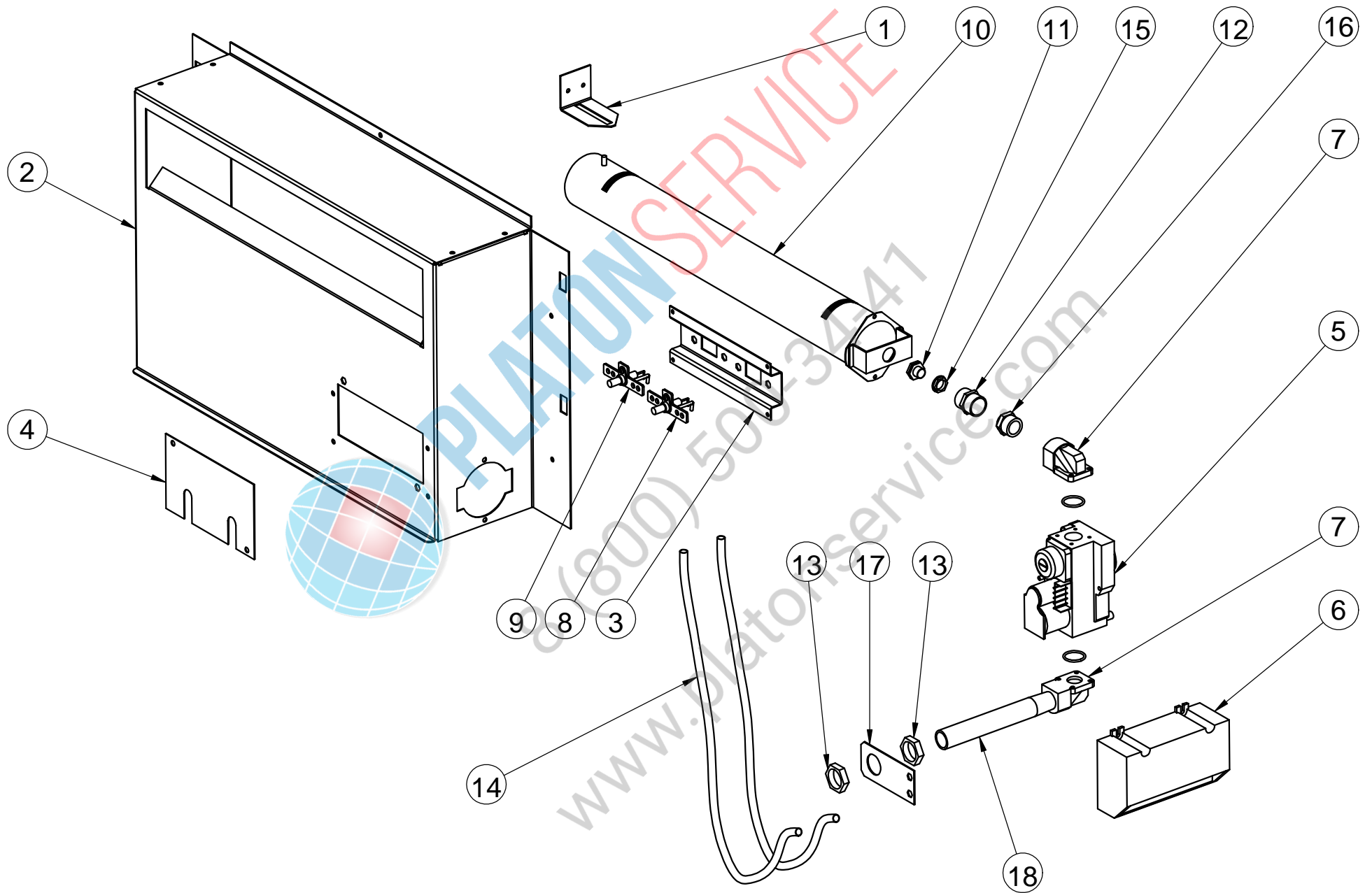
GAS HEATING / BATERIA GAS
Cod. DO800V0401

| Pos. | Código | Cant. | Description | Descripción |
|------|------------|-------|-------------------------------|-------------------------------|
| 1 | DO00V04005 | 1 | Gas burner support | Soporte quemador gas |
| 2 | DO00V04024 | 1 | Gas box | Caja gas |
| 3 | DO00V04009 | 1 | Electrode support | Soporte electrodos |
| 4 | DO00V04014 | 1 | Gas box window | Ventana caja gas |
| 5 | DO1AB01415 | 1 | Gas electrovalve | Electroválvula gas |
| 6 | DO1AB01416 | 1 | Ionization circuit | Circuito ionización |
| 7 | DO1AB01418 | 2 | Aluminium conection 90° 1/2" | Racor aluminio 90° 1/2" |
| 8 | DO1AB01491 | 1 | Ignition electrode | Electrodo ignición |
| 9 | DO1AB01492 | 1 | Detection electrode | Electrodo detección |
| 10 | DO1AB01625 | 1 | Gas burner | Quemador gas |
| 11 | DO1AB01667 | 1 | Injector 2,3 mm (GLP) | Inyector 2,3 mm (Gas propano) |
| 11 | DO1AB01669 | 1 | Injector 4,2 mm (Natural gas) | Inyector 4,2 mm (Gas natural) |
| 12 | DO1AB01671 | 1 | Injector holder | Porta inyector |
| 13 | DO50797010 | 2 | Stainless steel locknut 1/2" | Contratuerca inoxidable 1/2" |
| 14 | DO1DO02030 | 1 | Electrode cable 1.1m | Cable para bujía 1.1m |
| 15 | DO1TN10016 | 1 | Nut M16x1 | Tuerca M16x1 latón |
| 16 | DO50782411 | 1 | Reduction 1/2"-3/8" | Reducción latón 1/2"-3/8" |
| 17 | DO00V04007 | 1 | Support tube gas outlet | Soporte tubo salida gas |
| 18 | DO00V04008 | 1 | Tube gas outlet | Tubo salida gas |



8 (800) 500-3344
www.platonservice.com

GAS HEATING / BATERIA GAS



STEAM HEATING / BATERIA VAPOR

| Pos. | Código | Cant. | Description | Descripción |
|------|------------|-------|-------------------|------------------------|
| 1 | DO1JD10500 | 1 | Steam battery set | Conjunto batería vapor |
| 2 | DO1DC00070 | 1 | Rotary motor | Actuador rotativo |
| 3 | DO80V05001 | 1 | Filter | Filtro |

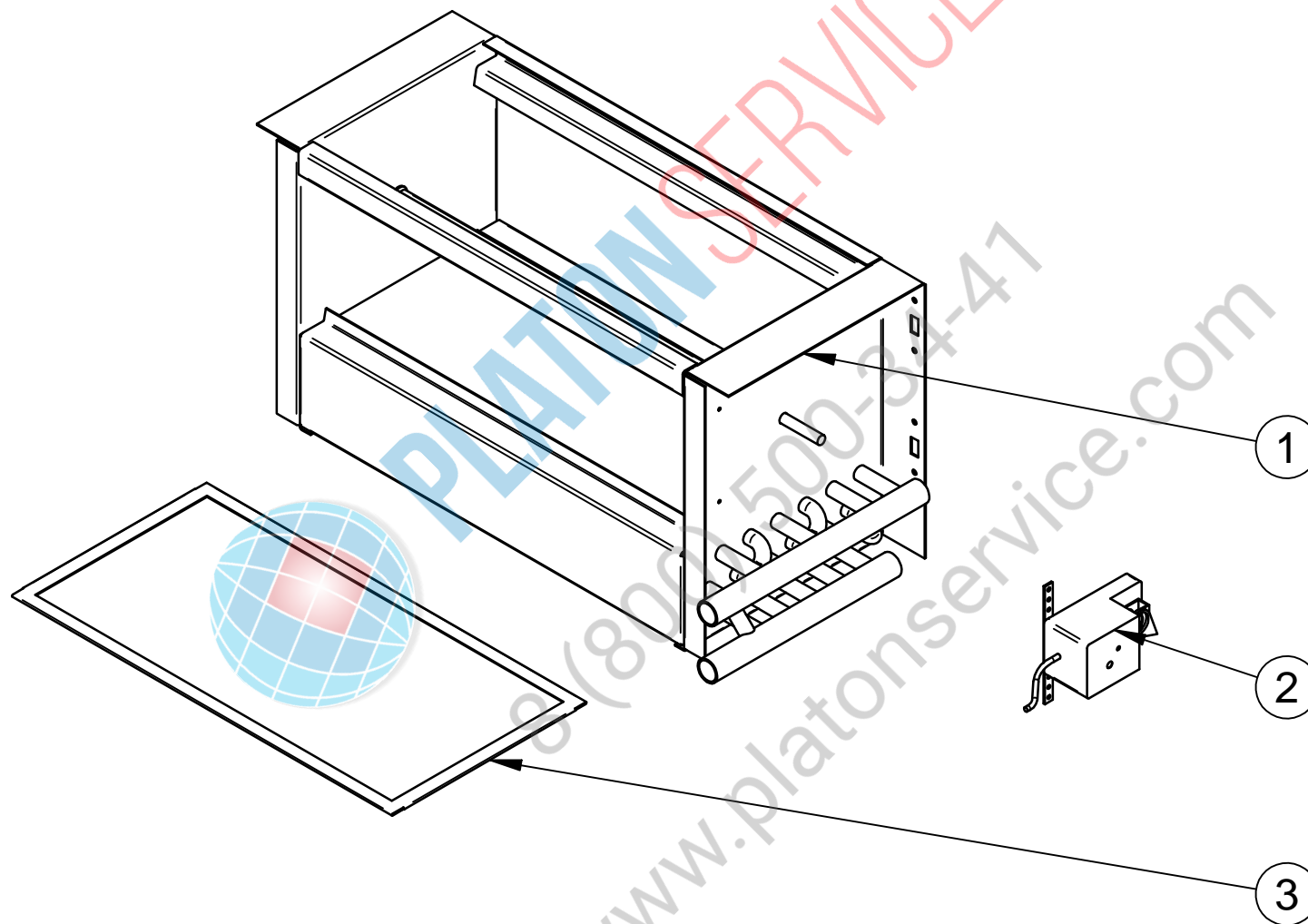


PLATON SERVICE

8 (800) 500-34-47

www.platonservice.com

STEAM HEATING / BATERIA VAPOR



DOOR / PUERTA SR-10 SR-16 SR-25

| Pos. | Código | Cant. | Description | Descripción |
|-------------|---------------|--------------|---------------------|-----------------------|
| 1 | DO80V00903 | 1 | Single glass door | Puerta cristal simple |
| 1 | DO80V01903 | 1 | Double glass door | Puerta cristal doble |
| 2 | DO1FB03044 | 1 | Fixed hinge | Bisagra fija |
| 3 | DO1FB03045 | 2 | Mobile hinge | Bisagra móvil |
| 4 | DO00V02150 | 1 | Magnet holder angle | Ángulo soporte imán |
| 5 | DO1FB02236 | 1 | Magnet Ø13 | Imán Ø13 |
| 6 | DO1BC03227 | 2 | Cap Ø10,8x15 | Casquillo Ø10,8x15 |
| 7 | DO00D32050 | 2 | Hinge pin | Pasador bisagra |
| 8 | DO00V00201 | 2 | Top of the magnet | Tope imán |
| 9 | DO1BE03603 | 1 | Rubber profile | Perfil de goma |

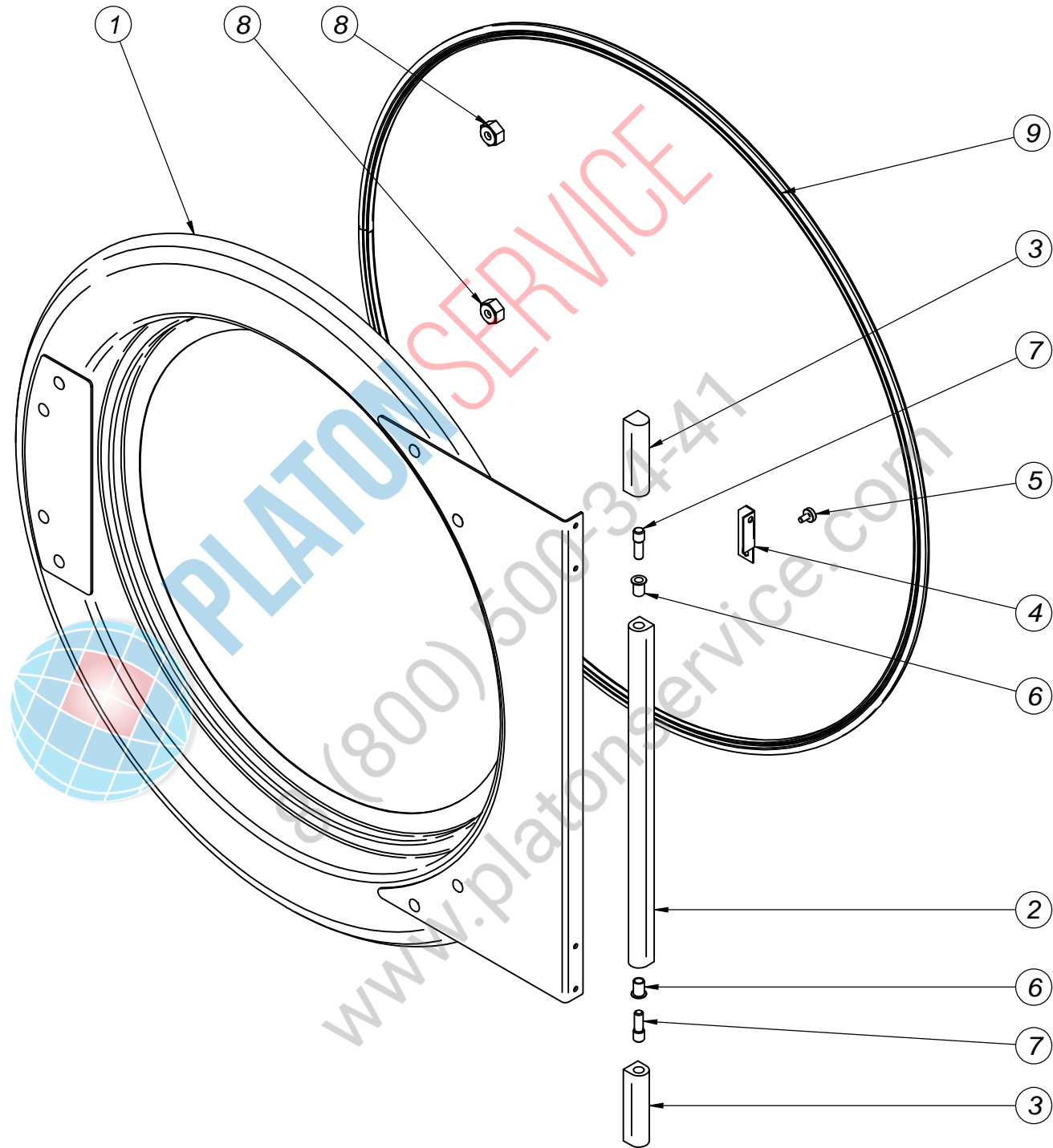


PLATON SERVICE

8 (800) 500-34-41

www.platonservice.com

DOOR
PUERTA



RECIRCULATION / RECIRCULACION

| Pos. | Código | CANT. | Description | Descripción |
|------|------------|-------|------------------------------|----------------------------------|
| 1 | DO1DG11732 | 1 | Humidity sensor | Sensor de humedad |
| 2 | DO1DC00071 | 1 | Rotary actuator | Actuador rotativo |
| 3 | DO1DE08400 | 1 | Centrifugal fan three phase | Ventilador centrífugo trifásico |
| 3 | DO1DE08416 | 1 | Centrifugal fan single phase | Ventilador centrífugo monofásico |
| 4 | DO80V07054 | 1 | Articulated register | Registro articulado |
| 5 | DO1BC03144 | 4 | Cap Ø8xØ10 | Casquillo Ø8xØ10 |

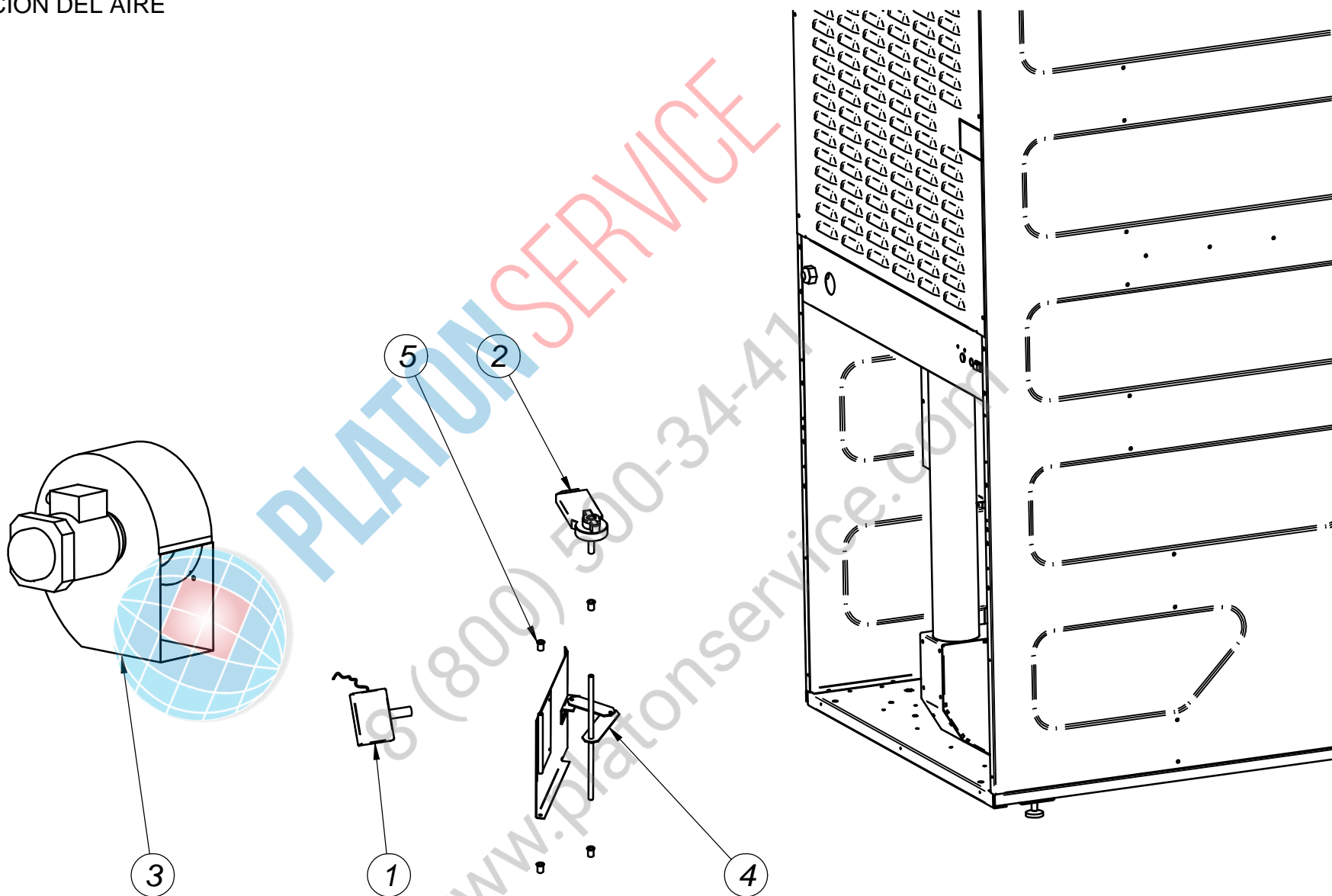


PLATON SERVICE

8 (800) 500-34-41

www.platonservice.com

AIR RECIRCULATION
RECIRCULACION DEL AIRE



DRUM / TAMBOR

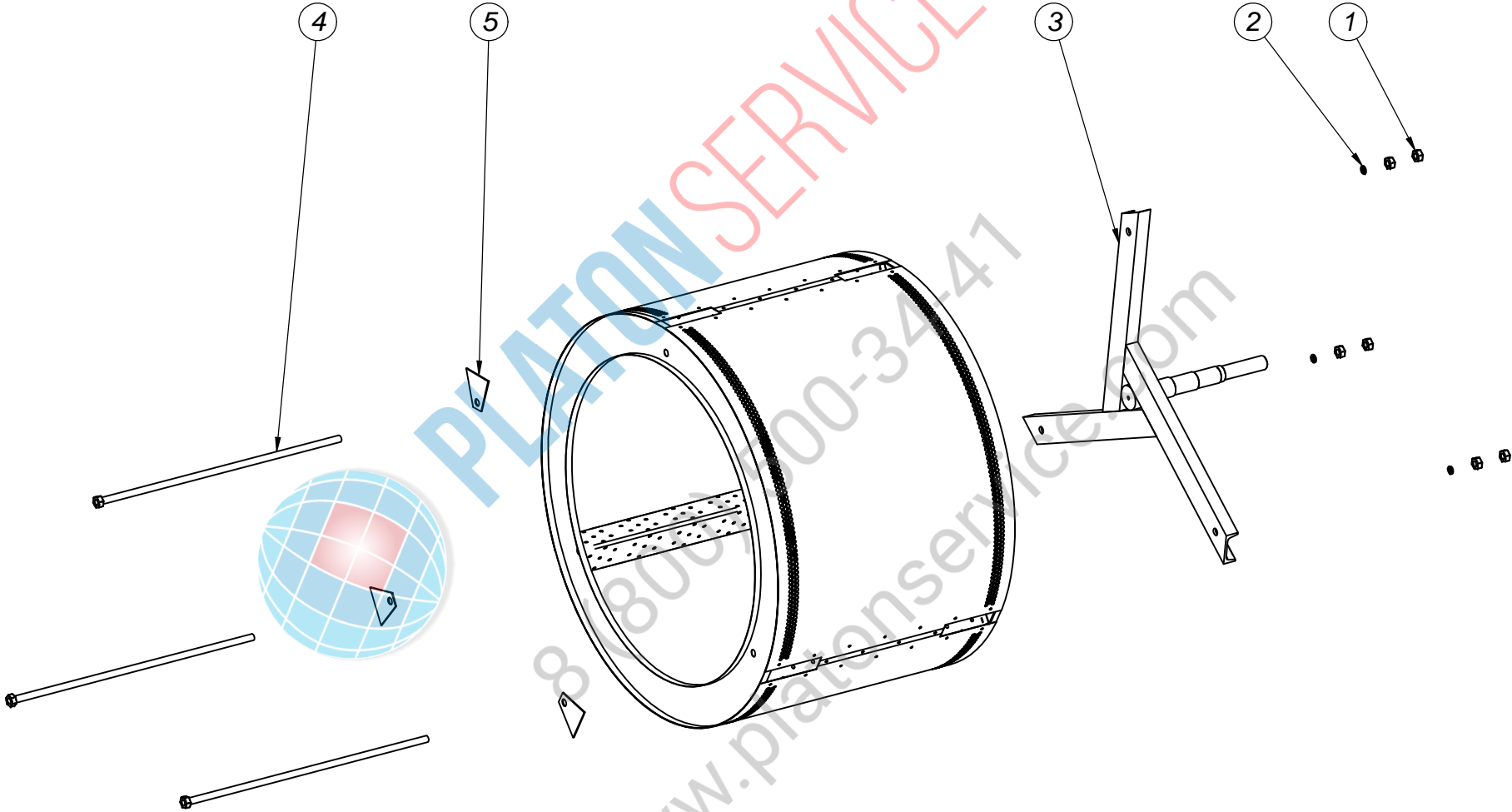
SR-10 Cod. DO01V01119 SC-10 Cod. DO00V01119
 SR-16 Cod. DO01V11119 SC-16 Cod. DO00V11119
 SR-25 Cod. DO01V21019 SC-25 Cod. DO00V21020

| Pos. | Código | SR-10 | SR-16 | SR-25 | Description | Descripción |
|------|------------|-------|-------|-------|--------------------|----------------------------|
| 1 | DO1TN00012 | 6 | 6 | 6 | M-12 Nut | Tuerca M-12 |
| 2 | DO1TV00012 | 3 | 3 | 3 | Grower ring M-12 | Arandela Grower M-12 |
| 3 | DO1FB03046 | 1 | 1 | ... | Axle-radium set | Conjunto eje-radios tambor |
| 3 | DO00V21001 | ... | ... | 1 | Axle-radium set | Conjunto eje-radios tambor |
| 4 | DO00V01017 | 3 | ... | ... | Drum tightener M12 | Tirantes tambor M12 |
| 4 | DO00V11017 | ... | 3 | ... | Drum tightener M12 | Tirantes tambor M12 |
| 4 | DO00V21017 | ... | ... | 3 | Drum tightener M12 | Tirantes tambor M12 |
| 5 | DO00V01016 | 3 | 3 | 3 | Drum reinforcement | Refuerzo tambor |



PLATON SERVICE
 8 (800) 500-34-41
www.platonservice.com

DRUM
TAMBOR



DRIVE / TRANSMISION

| Pos. | Código | SR-10 | SR-16 | Description | Descripción |
|------|------------|-------|-------|------------------|----------------------------|
| 1 | DO00V00078 | 1 | 1 | Torque arm | Brazo de reacción reductor |
| 2 | DO00V00079 | 1 | 1 | Bearing support | Soporte rodamiento |
| 3 | DO01V01019 | 1 | ... | Drum set 210 | Conjunto tambor 210 |
| 3 | DO01V11019 | ... | 1 | Drum set 330 | Conjunto tambor 330 |
| 4 | DO1DC07052 | 1 | 1 | Motor | Motor |
| 5 | DO1ED40206 | 1 | 1 | Bearing UCFC 206 | Rodamiento UCFC 206 |
| 6 | DO1ED40207 | 1 | 1 | Bearing UCFC 207 | Rodamiento UCFC 207 |
| 7 | DO1GX10068 | 1 | 1 | Key 8x7x60 | Chaveta 8x7x60 |
| 8 | DO1DC07051 | 1 | 1 | Gearbox | Reductor |

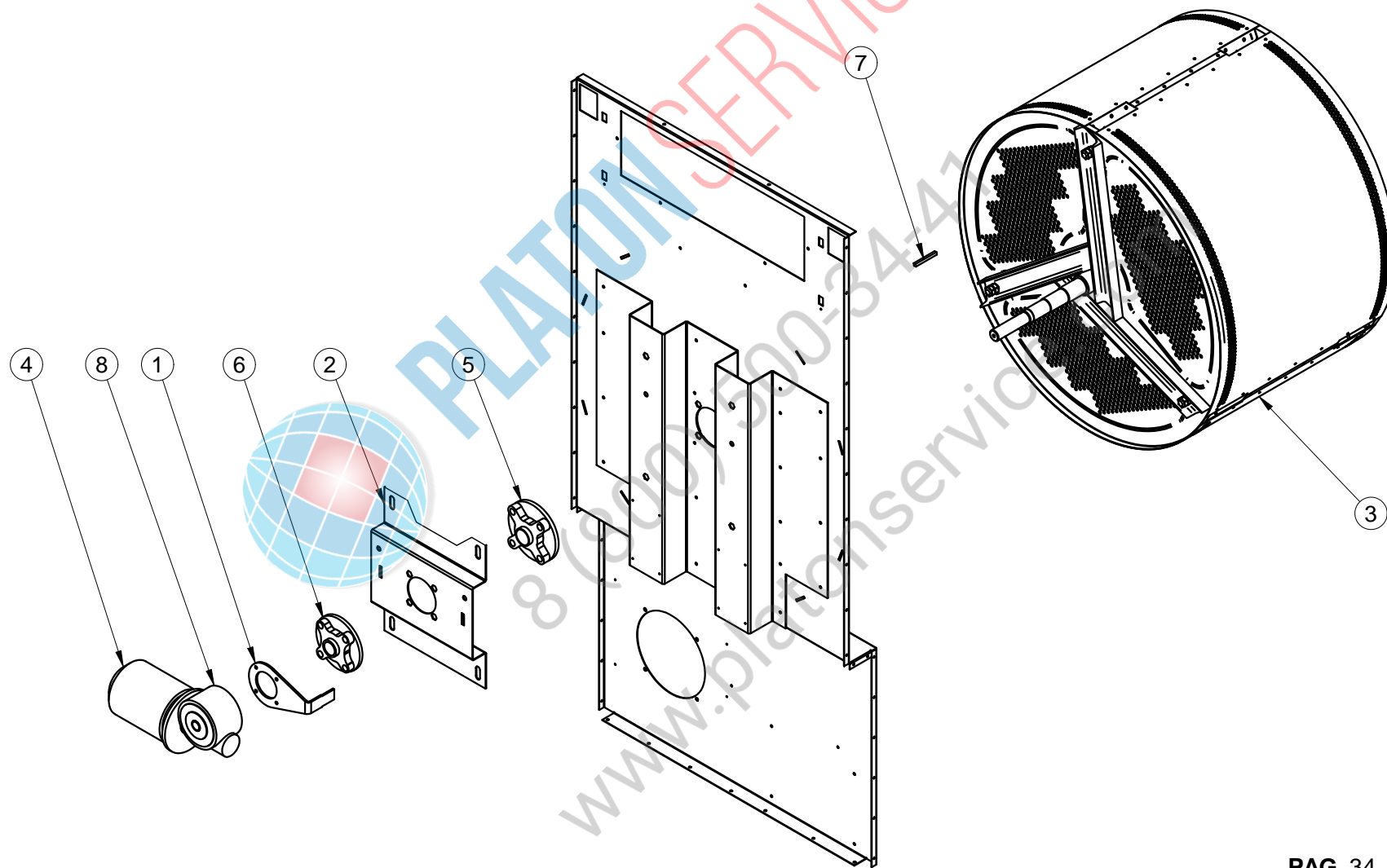


PLATON SERVICE

8 (800) 500-34-41

www.platonservice.com

DRIVE / TRANSMISSION



| | |
|-----|-----------|
| CI: | Mode: B2 |
| | Esc: 0.1m |
| | Val: 10 |

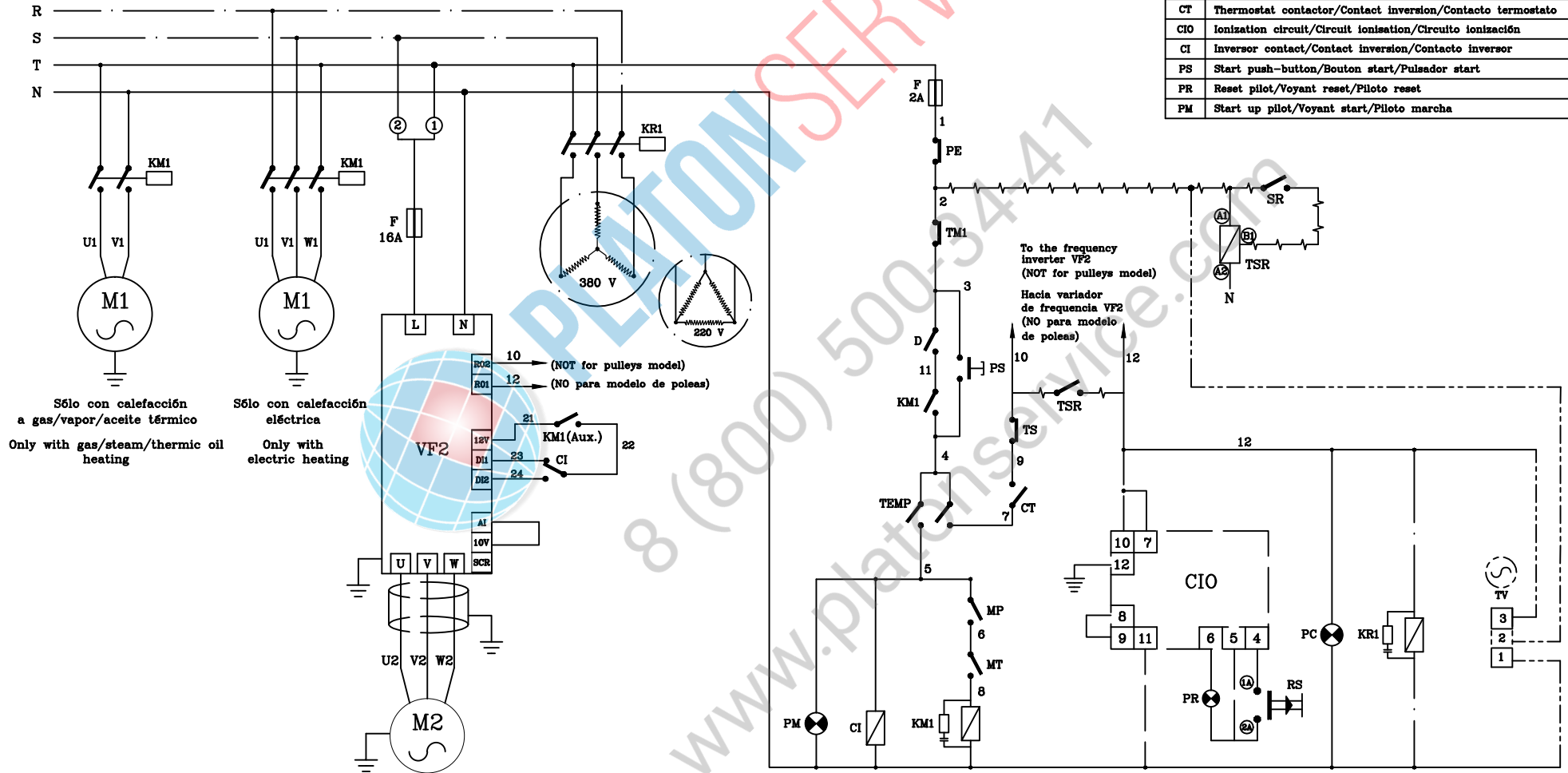
| | |
|------|---------|
| TSR: | Mode: E |
| | Esc: 1s |
| | Val: 6 |

| | |
|------|--|
| VF2 | Frequency inverter M2/Variateur fréquence/Variador frecuencia M2 |
| TS | Safety thermostat/thermostat sécurité/Termostato seguridad |
| TM1 | Thermic M1/Thermique M1r/Termico M1 |
| TEMP | Timer/Temporisateur/Temporizador |
| RS | Reset/Reset/Reset |
| PE | Emergency stop/Arrêt d'urgence/Paro emergencia |
| PC | Heating pilot/Voyant chauffage/Piloto calefacción |
| TV | Steam damper/trappe vapeur/Trampilla vapor |

| | |
|-----|---|
| MT | Filter switch/Contact filtre/Micro tapa filtro |
| MP | Door switch/Contact porte/Micro puerta |
| M2 | Drum motor reductor/Moteur reducteur tambour/Motoreductor tambor |
| M1 | Extractor motor/Moteur ventilateur/Motor ventilador |
| KR1 | Resistors contactor/Contacteur résistances/Contactor resistencias |
| KM1 | Micontactor/Contacteur M1/Contactor M1 |
| SR | Rotary sensor/Rotatif sensor/Sensor rotativo |
| TSR | Timer rot. sensor/ Temp. dst. rot./ Temporizador sensor rot. |
| F | Fuse/Fusible/Fusible |
| D | Depressor/Depressostat/Depresor |
| CT | Thermostat contactor/Contact inversion/Contacto termostato |
| CIO | Ionization circuit/Circuit ionisation/Circuito ionización |
| CI | Inversor contact/Contact inversion/Contacto inversor |
| PS | Start push-button/Bouton start/Pulsador start |
| PR | Reset pilot/Voyant reset/Piloto reset |
| PM | Start up pilot/Voyant start/Piloto marcha |

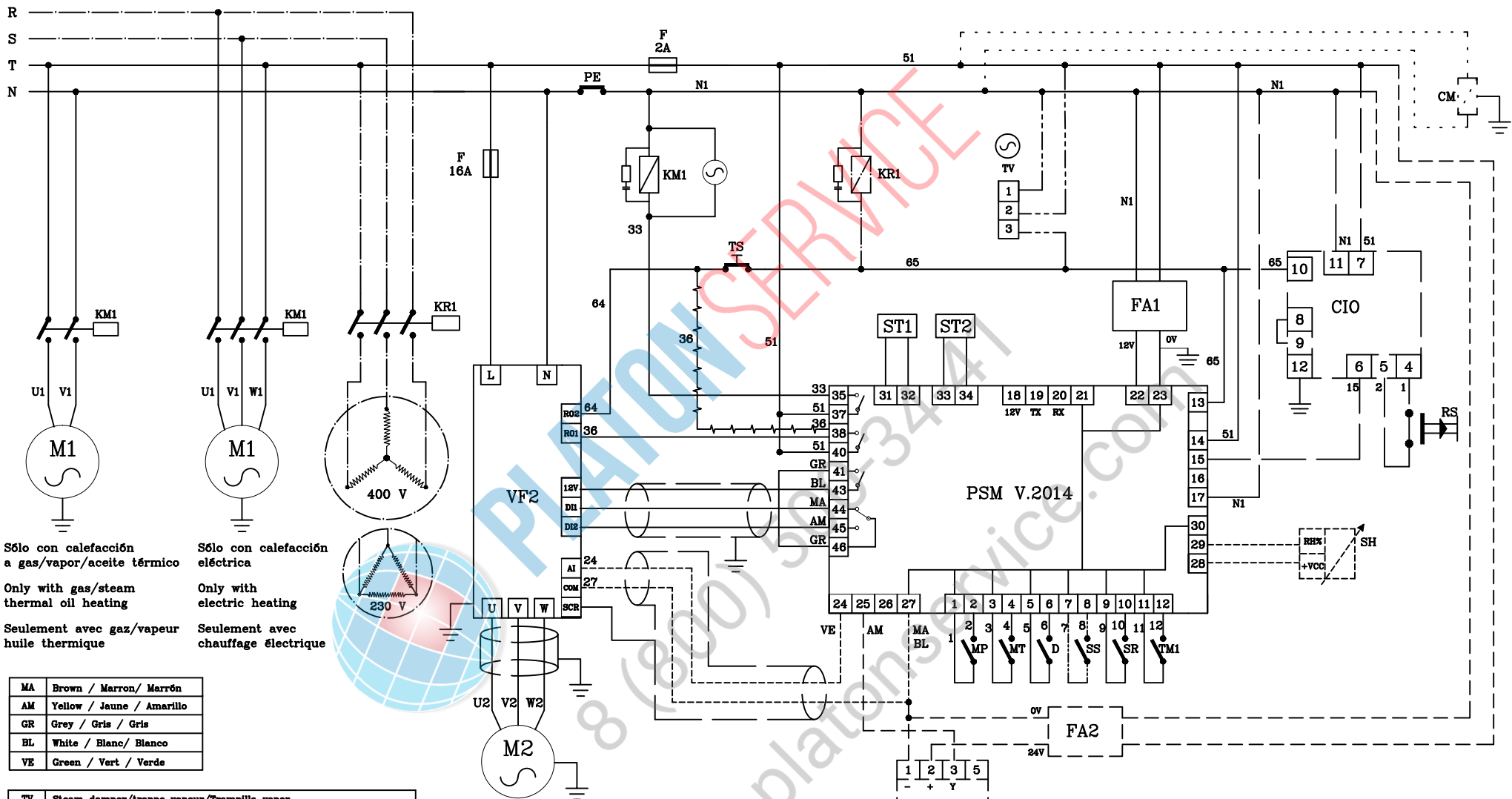
② S6lo con calefacción eléctrica. // Only with electric heating.

① S6lo con calefacción a gas / vapor / aceite térmico. // Only with gas / steam / thermic oil heating.



- All the version/Toutes les versions/Todos los modelos
- Only gas heating/Uniquement chauffage gaz/S6lo modelos calefacción a gas
- Only electric heating/Uniquement chauffage électrique/S6lo modelos calefacción eléctrica
- - - - - Only steam heating/Uniquement chauffage vapeur/S6lo modelos calefacción a vapor
- - - - - Only for transmission pulleys model/Solo para modelo con transmisión por poleas

| Date/Date/Fecha | Version/Version/Versión | Code/Code/Código |
|-----------------|-------------------------|------------------|
| 12-12-13 | 1 | S-274 |



Sólo con calefacción a gas/vapor/aceite térmico

Only with gas/steam thermal oil heating

Seulement avec gaz/vapeur huile thermique

Sólo con calefacción eléctrica

Only with electric heating

Seulement avec chauffage électrique

| | |
|----|---------------------------|
| MA | Brown / Marron/ Marrón |
| AM | Yellow / Jaune / Amarillo |
| GR | Grey / Gris / Gris |
| BL | White / Blanc/ Blanco |
| VE | Green / Vert / Verde |

| | | | |
|-----|---|-----|--|
| TV | Steam damper/trappe vapeur/Trampilla vapor | VF2 | Frequency inverter M2/Variateur fréquence/Variador frecuencia M2 |
| CM | Coin Meter/Monnayeur/Monedero | TS | Safety thermostat/thermostat sécurité/Termostato seguridad |
| SH | Humidity sensor/Sonde humidité/Sonda humedad | TM1 | Thermic M1/Thermique M1/Termico M1 |
| M2 | Drum motor/Moteur tambour/Motor tambor | ST1 | Drum temp. sensor /Sonde temp. tambour /Sonda temp. tambor |
| M1 | Extractor motor/Moteur ventilateur/Motor ventilador | ST2 | Upper temp. sensor /Sonde temp. Sup /Sonda temp. Superior |
| KR1 | Resistors contactor/Contacteur résistances/Contactor resistencias | SH | Humidity sensor/Sonde humidité/Sonda humedad |
| KM1 | M1 contactor/Contacteur M1/Contactor M1 | RS | Reset/Reset/Reset |
| AR | Rotary actuator/Actionneur rotatif/Actuador rotativo | PE | Emergency stop/Arrêt d'urgence/Paro emergencia |
| SR | Rotary sensor/Rotatif sensor/Sensor rotativo | MT | Filter switch/Contact filtre/Micro tapa filtro |
| F | Fuse/Fusible/Fusible | MP | Door switch/Contact porte/Micro puerta |
| EV | Steam valve/ Valve vapeur/ Válvula vapor | PSM | Microprocessor/Microprocesseur/Microprocesador |
| D | Depressor/Depressostat/Depresor | FA1 | 12V DC Source/Font de 12V DC/Fuente de 12V DC |
| CIO | Ionization circuit/Circuit ionisation/Circuito ionización | FA2 | 24V DC Source/Font de 24V DC/Fuente de 24V DC |
| SS | Self-Service/Self-service/Autoservicio | | |

- All the version/Toutes les versions/Todos los modelos
- Only gas heating/Uniquement chauffage gaz/Sólo calefacción a gas
- Only electric heating/Uniquement chauffage électrique/Sólo calefacción eléctrica
- Only steam heating/Uniquement chauffage vapeur/Sólo calefacción a vapor
- Only with self-service/Uniquement self-service/Sólo auto-servicio
- Only with humidity control/Uniquement controle d'humidité/sólo control de humedad
- Only with recirculating air/Uniquement recirculation d'air/Solo recirculación de aire
- Only for transmission pulleys model/Uniquement pour le modèle de transmission a poulies/Solo para modelo con transmisión por poleas
- - - Only with coin meter/Solo con moneder

| Date/Date/Fecha | Version/Version/Version | Code/Code/Código |
|-----------------|-------------------------|------------------|
| 22-01-14 | 1 | S275 |